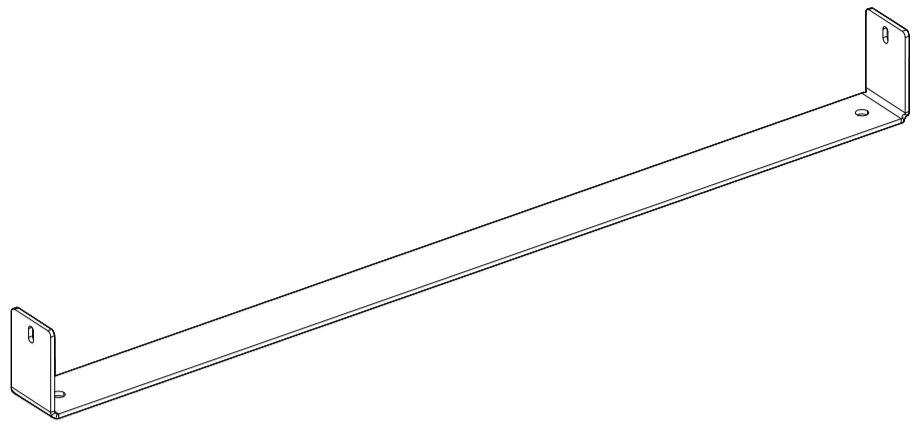
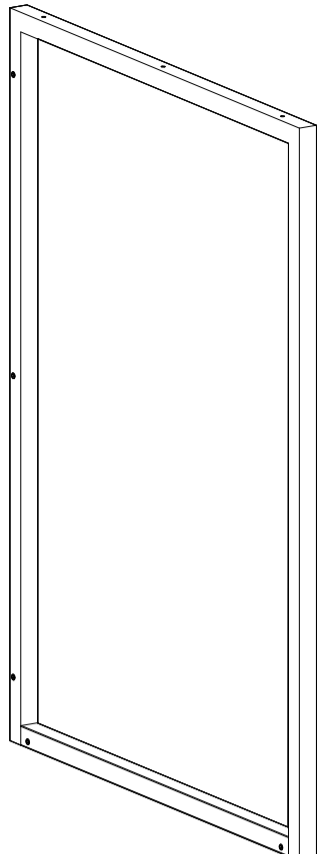
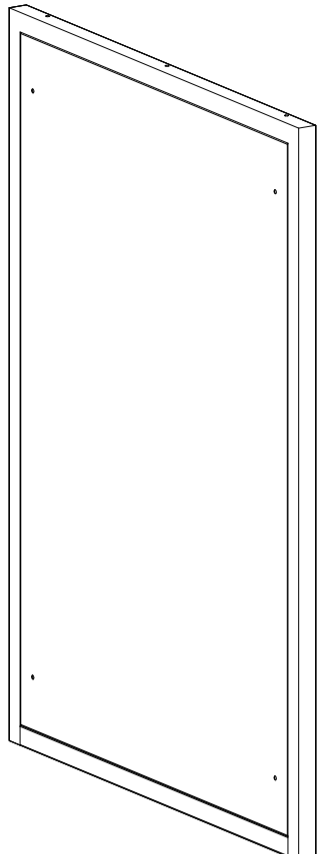
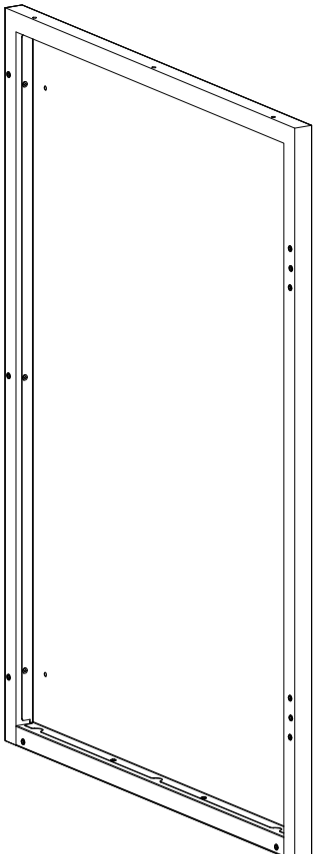
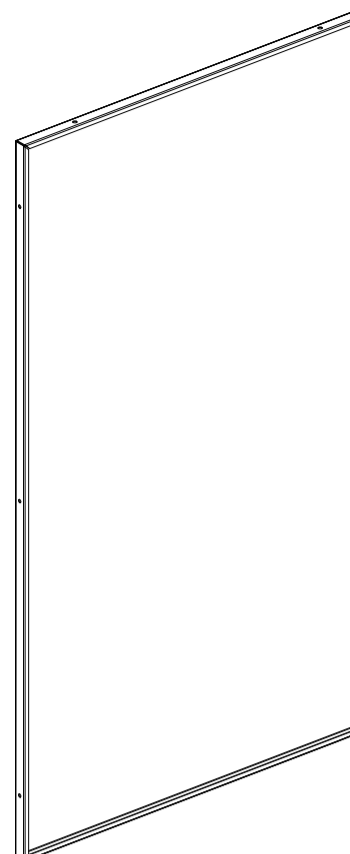
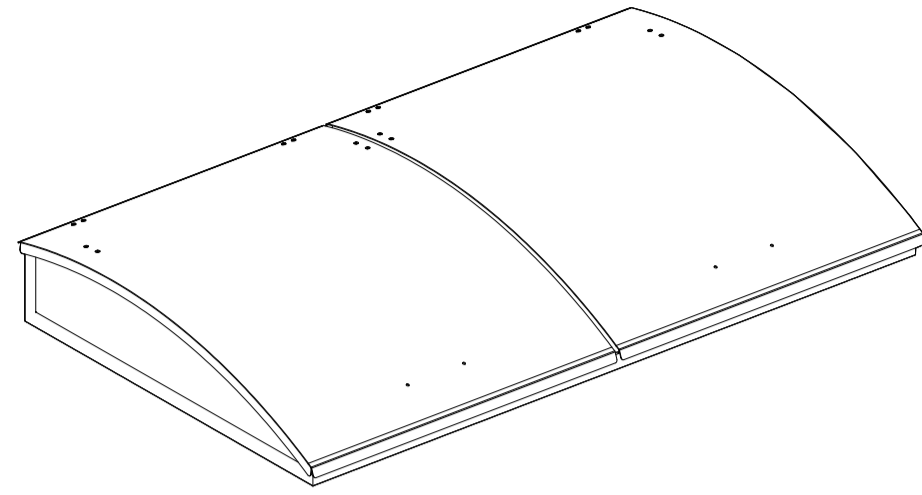
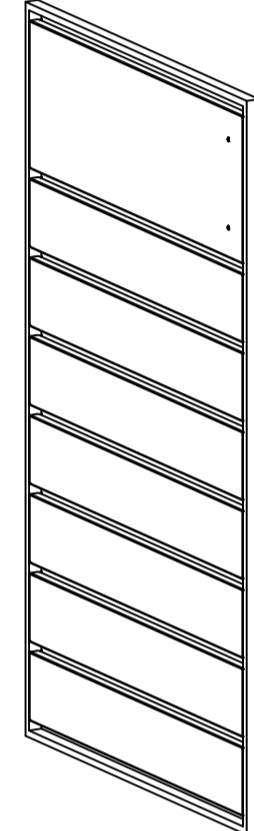
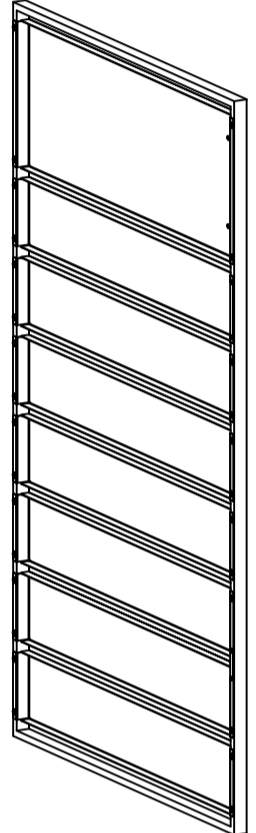
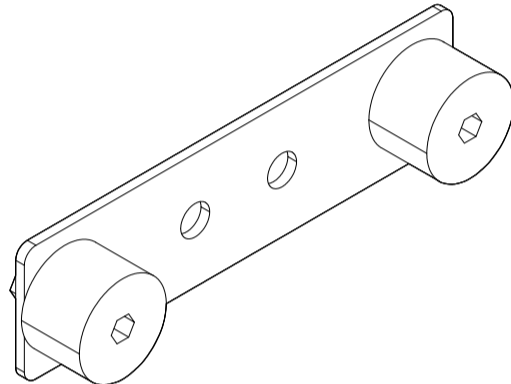
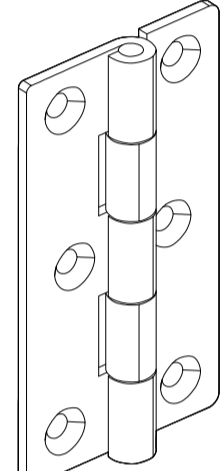
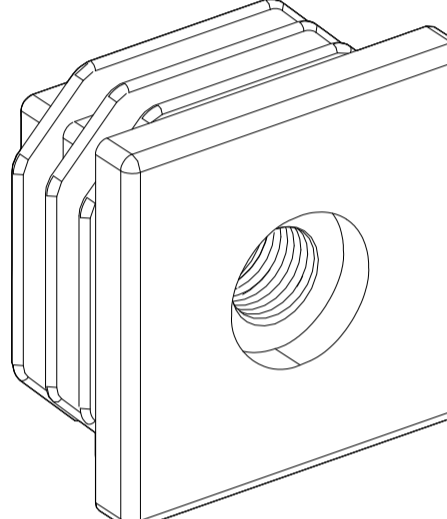
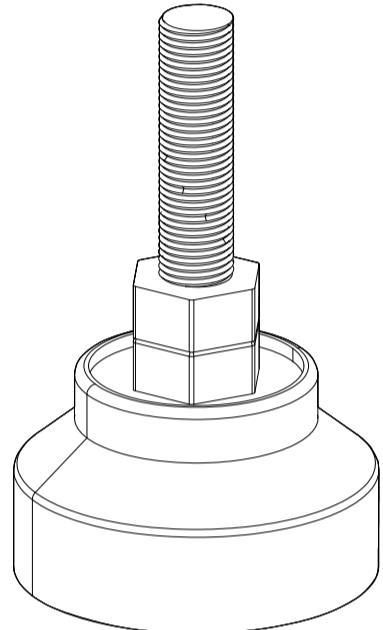
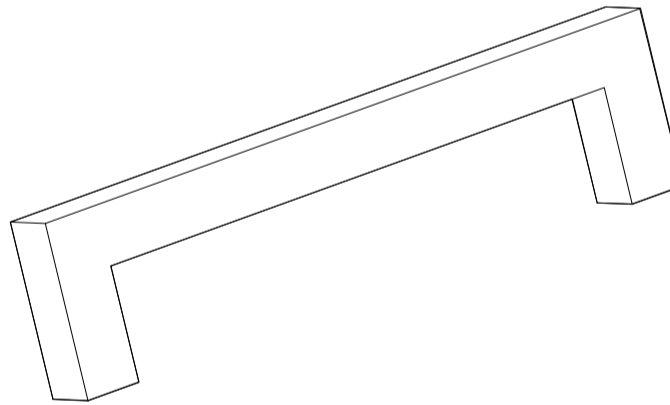
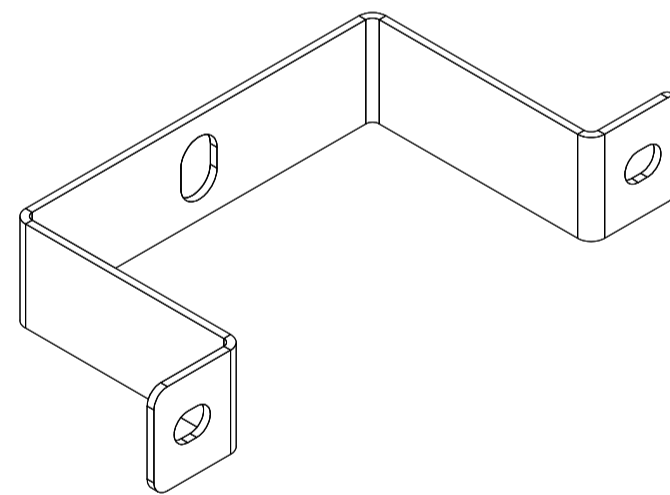
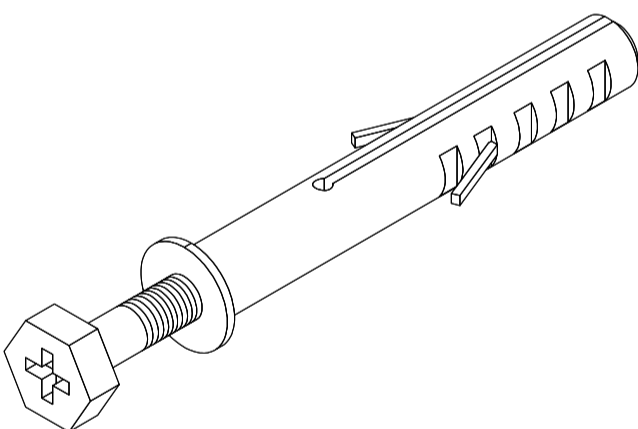
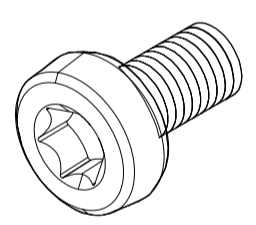
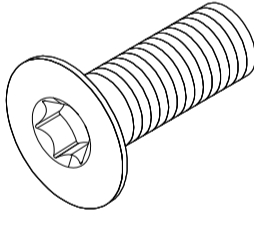
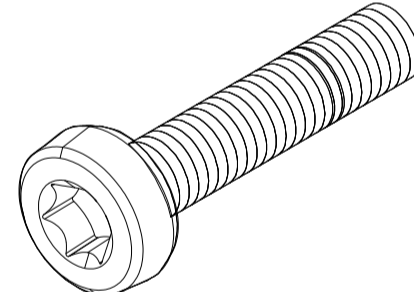
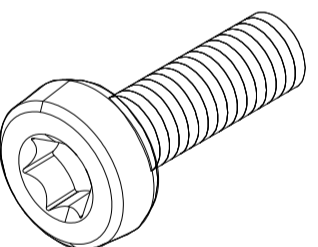
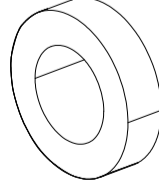
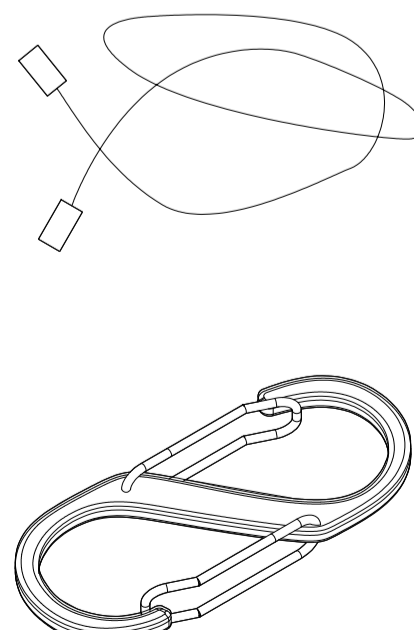
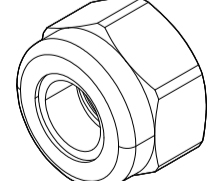
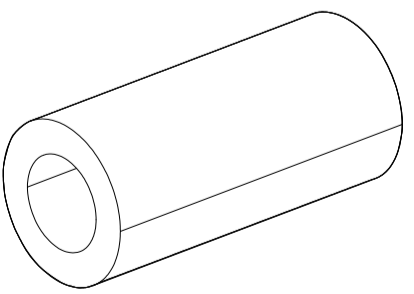
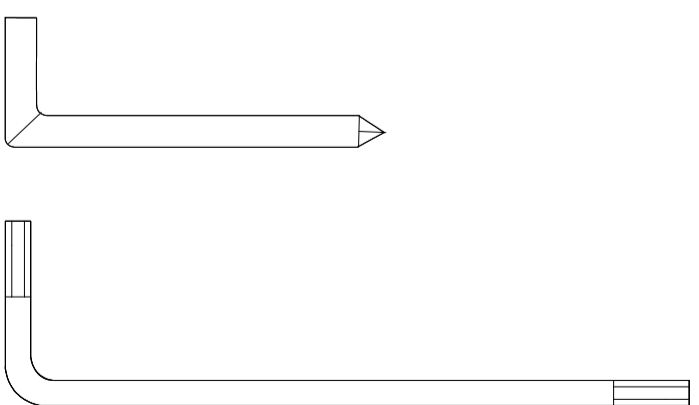
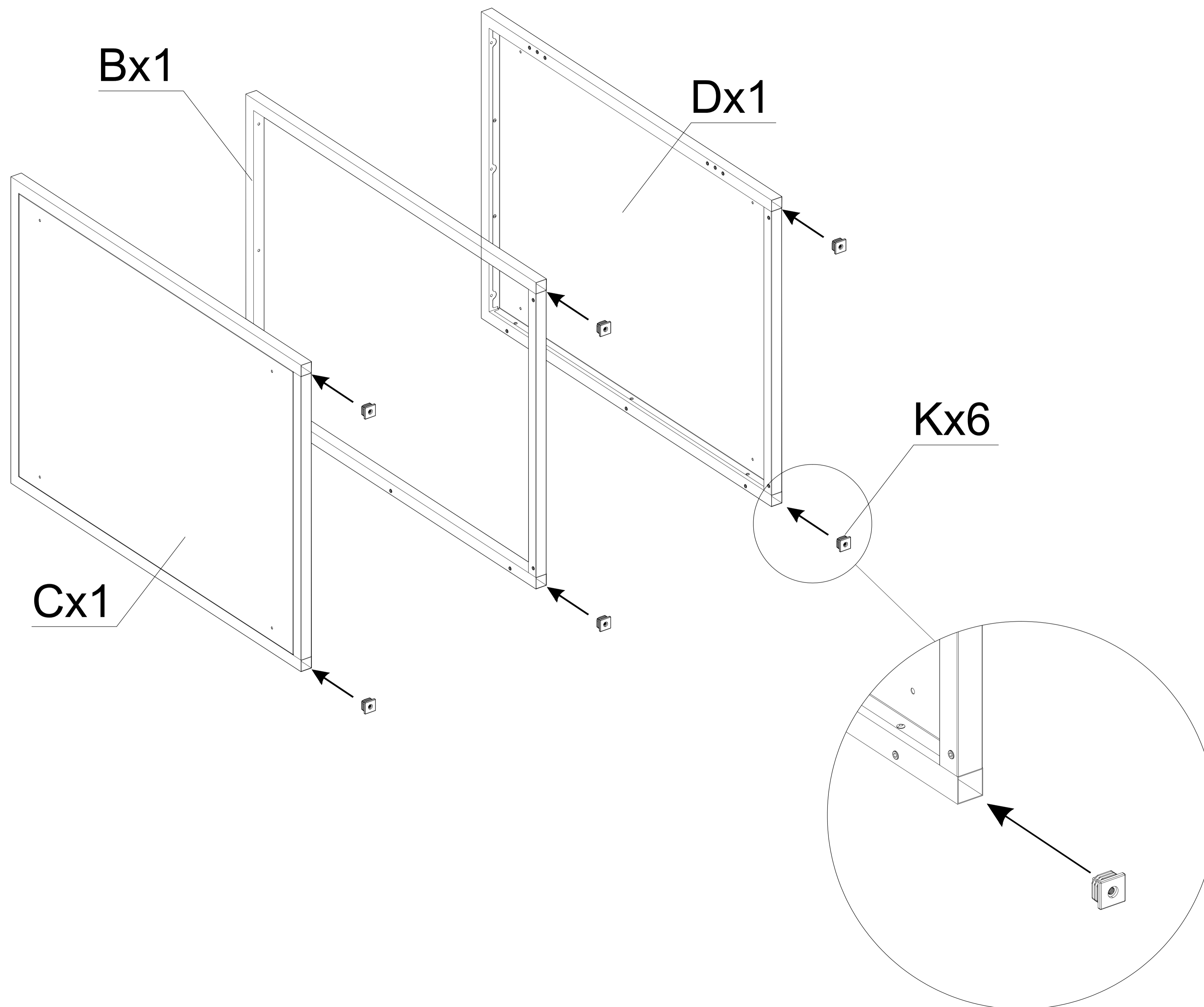
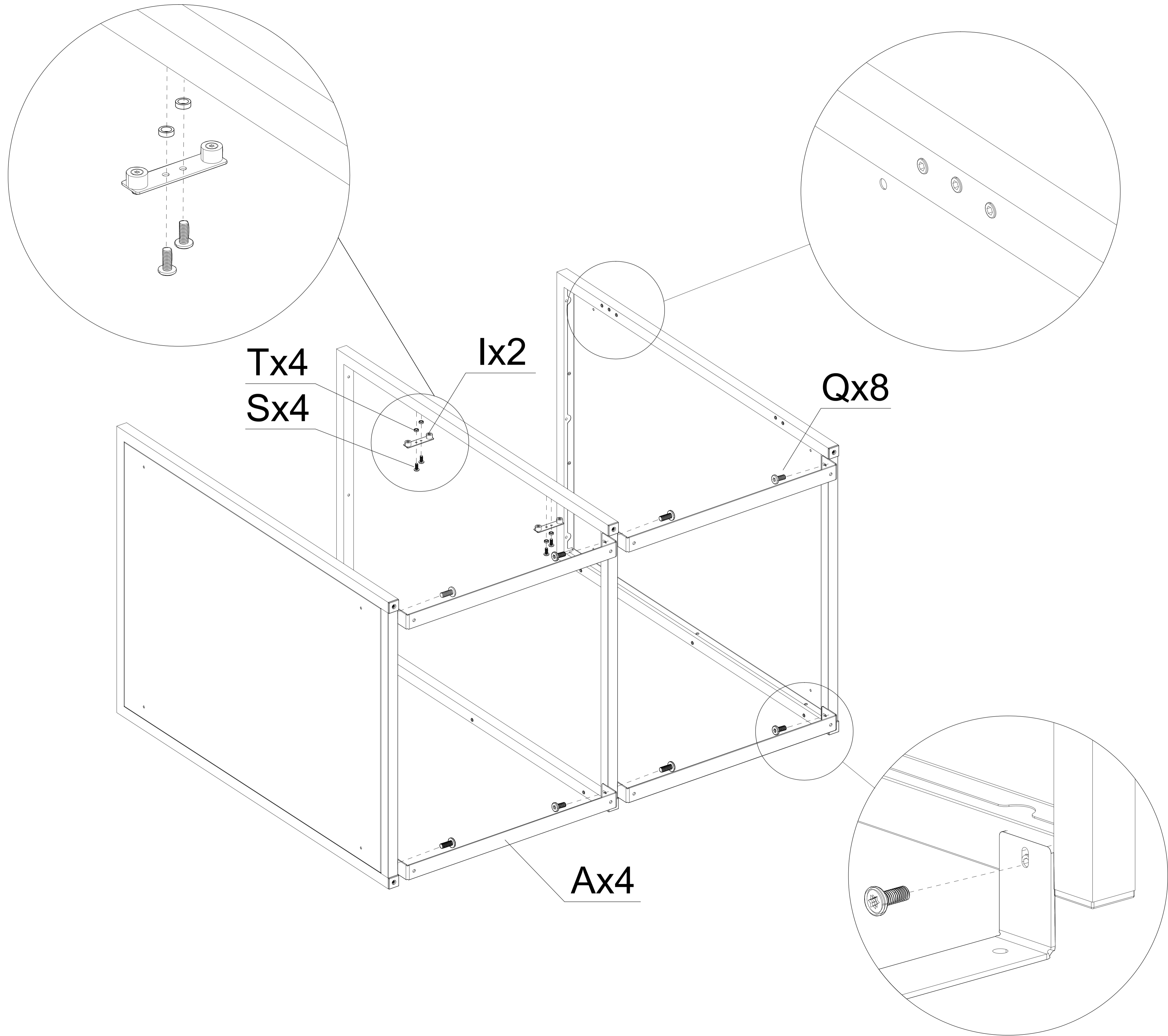


<p>Ax4</p> 	<p>Bx1</p> 	<p>Cx1</p> 	<p>Dx1</p> 	<p>Ex2</p> 	<p>Fx1</p> 	
<p>Gx1</p> 	<p>Hx1</p> 	<p>Ix2</p> 	<p>Jx4</p> 	<p>Kx6</p> 	<p>Lx6</p> 	
<p>Mx4</p> 	<p>Nx2</p> 	<p>Ox8</p> 	<p>Px28</p>  <p>M4x10mm</p>	<p>Qx24</p>  <p>M4x12mm</p>	<p>Rx13</p>  <p>M4x40mm</p>	<p>Sx4</p>  <p>M4x16mm</p>
<p>Tx4</p> 	<p>Ux2</p> 	<p>Vx4</p> 	<p>Wx4</p> 	<p>Xx1</p> 		

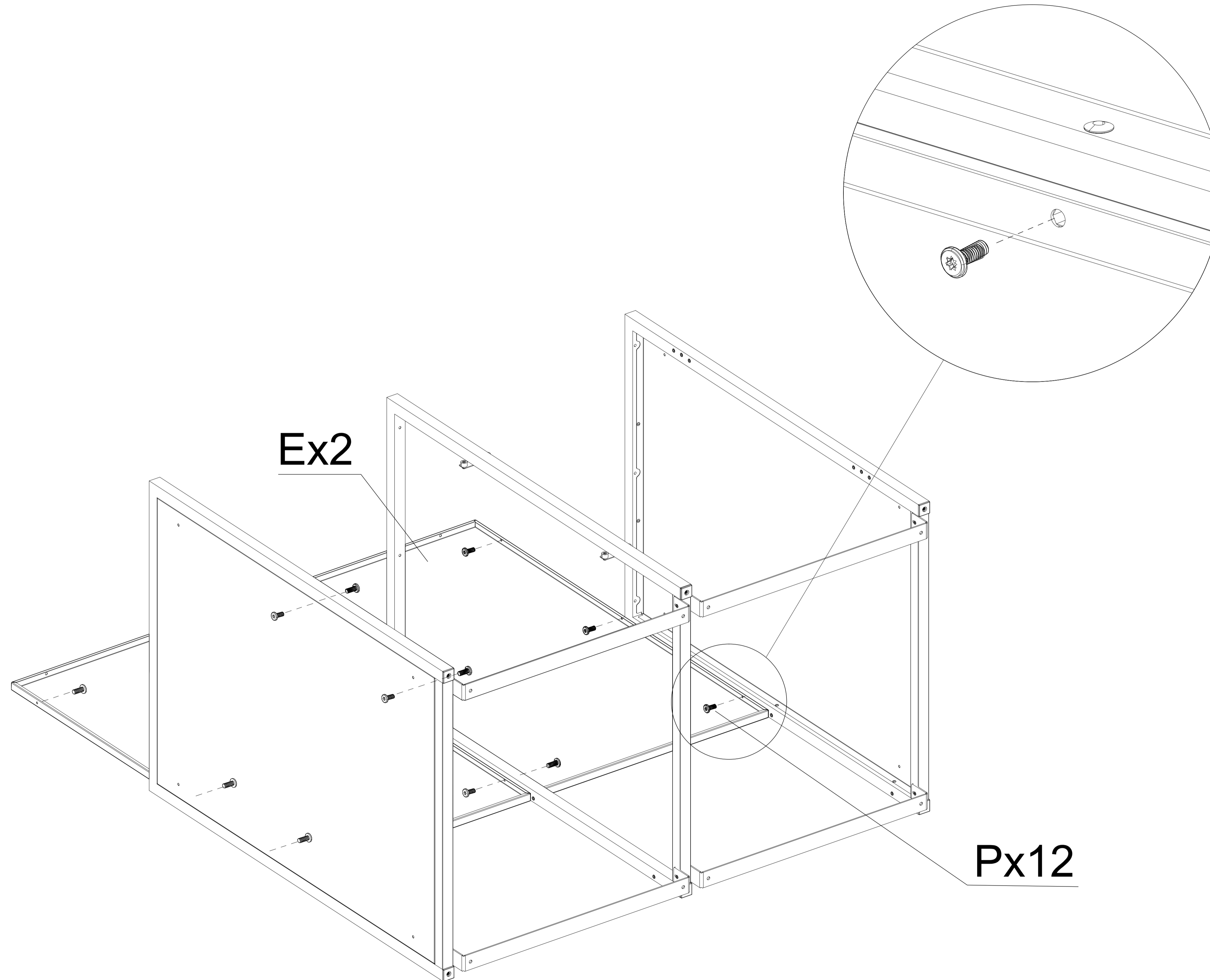
STEP 1



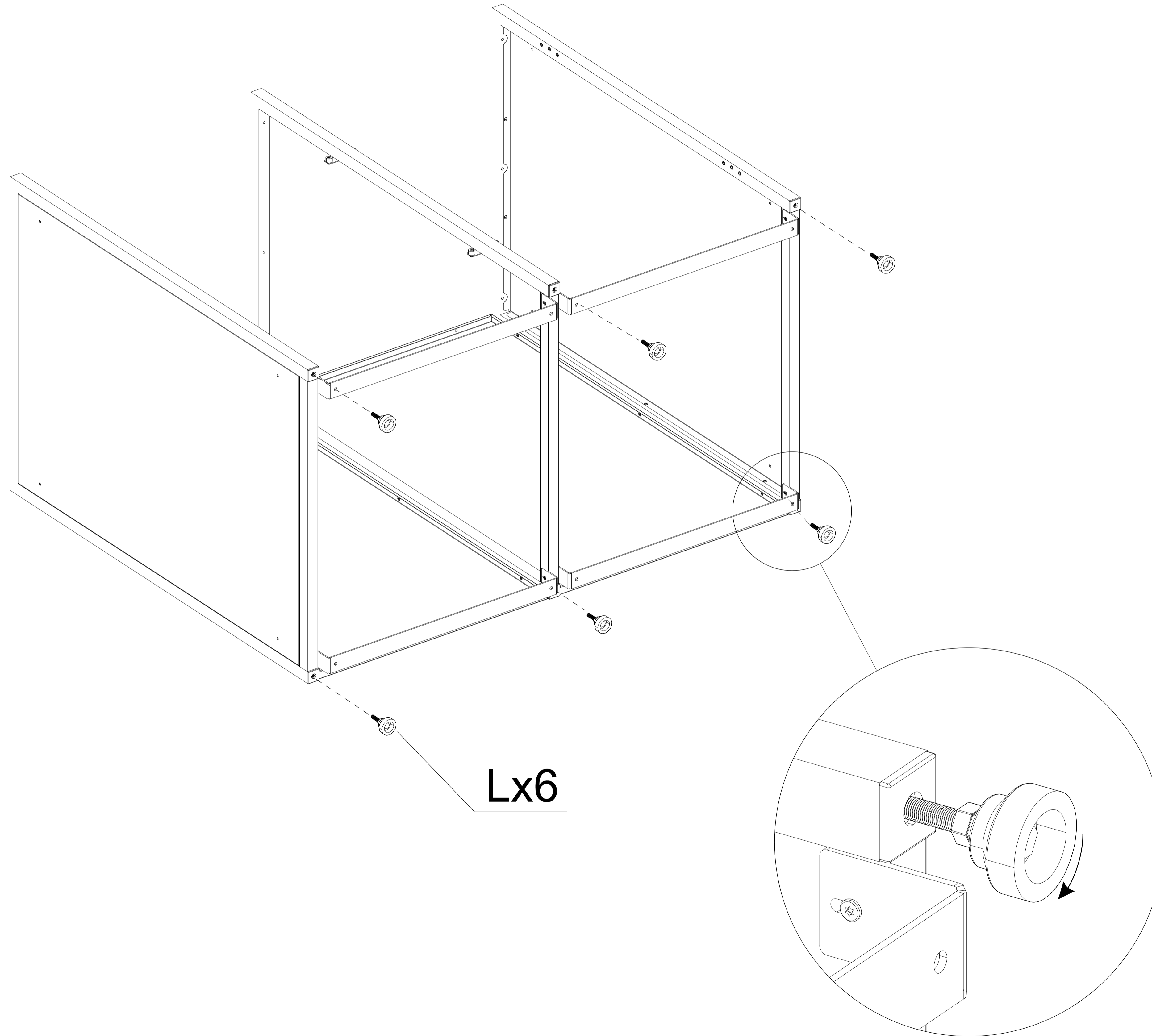
STEP 2



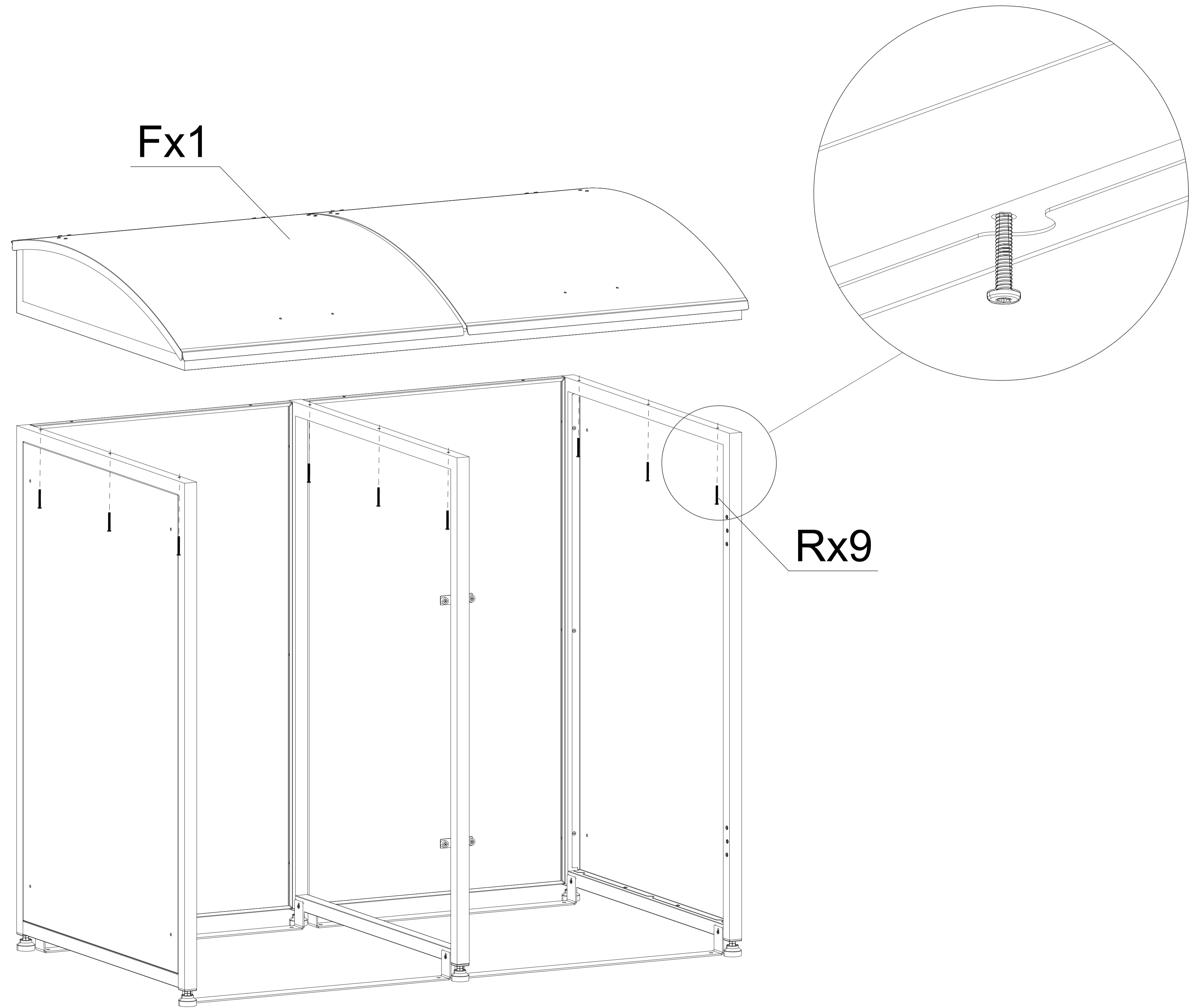
STEP 3



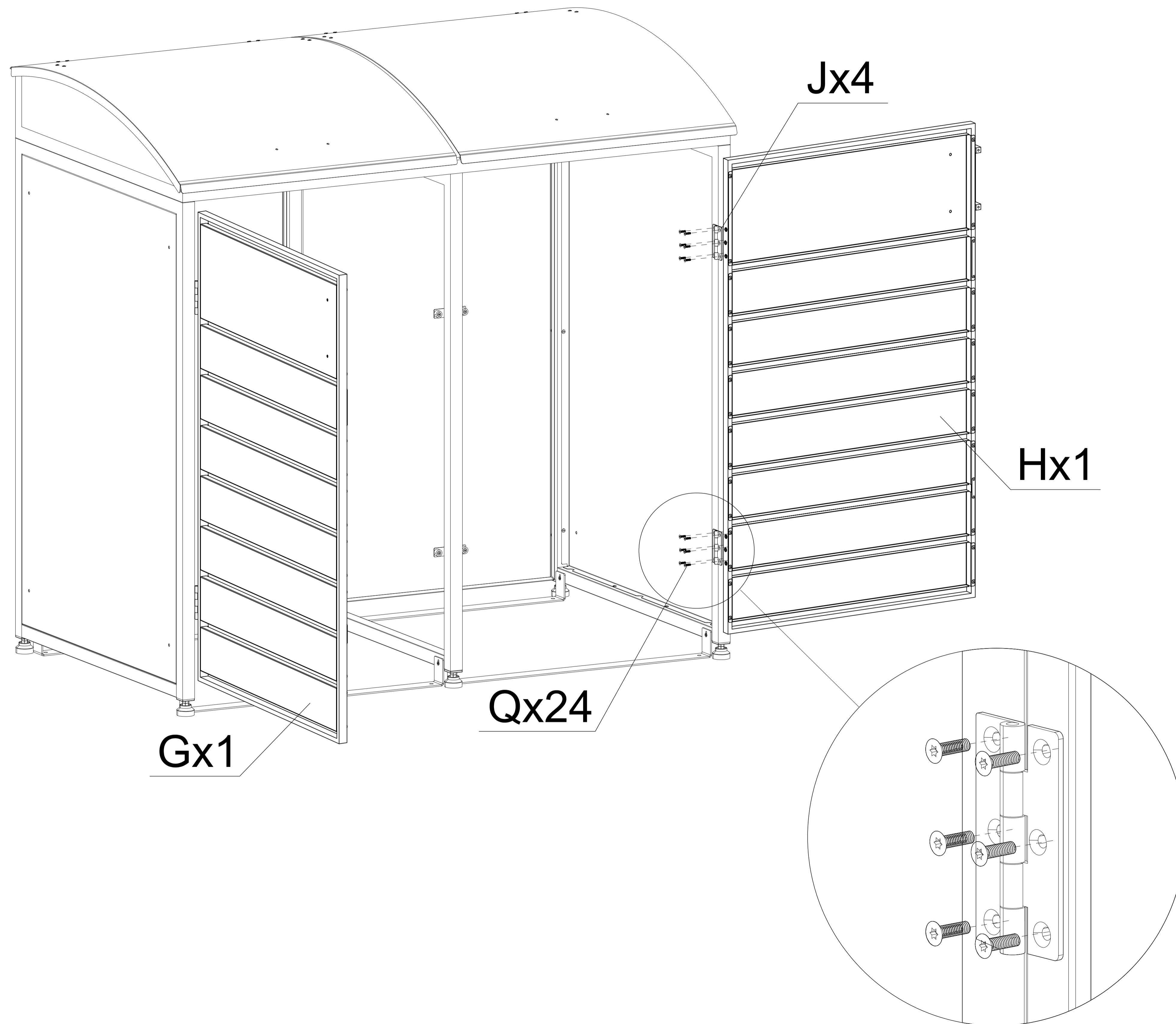
STEP4



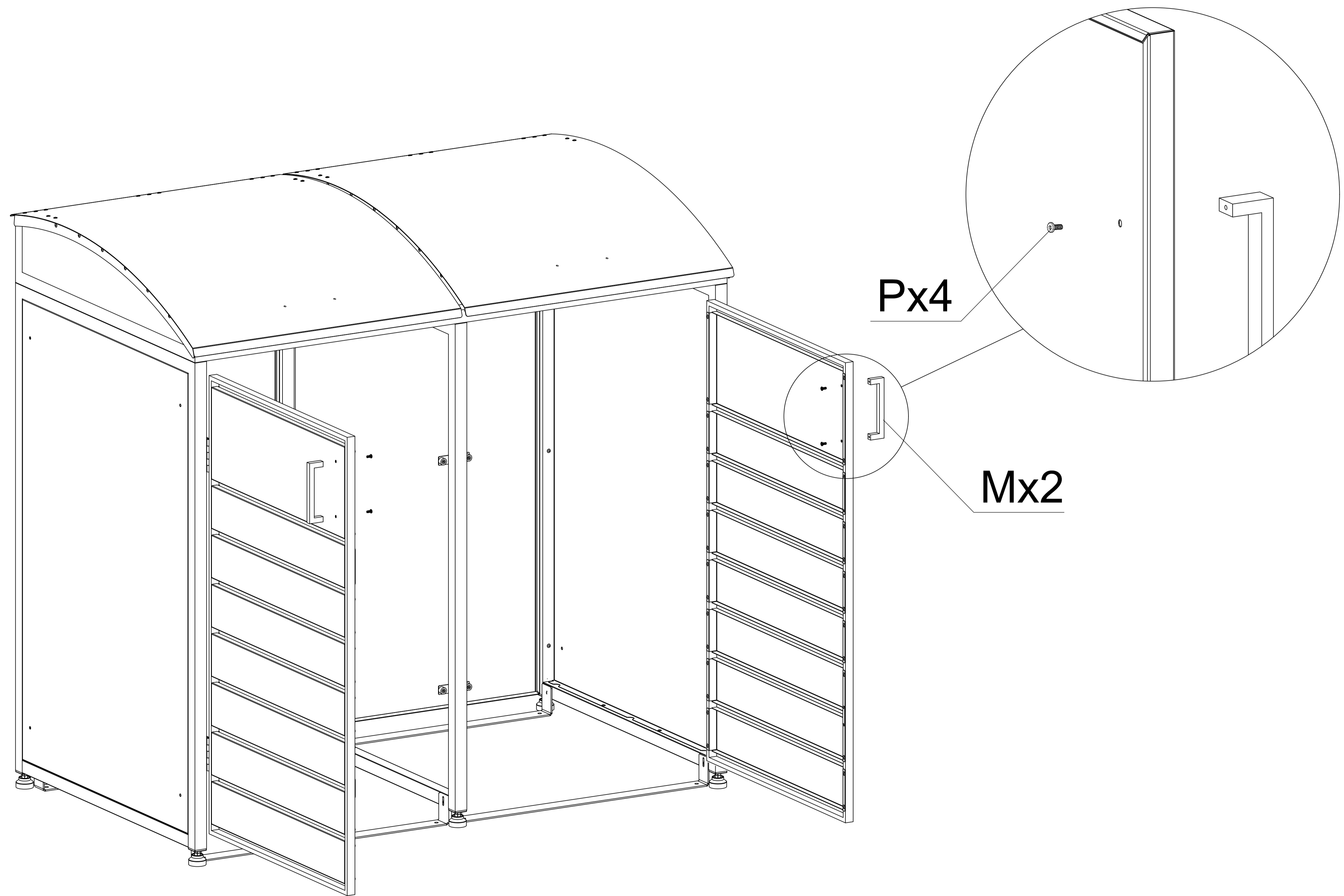
STEP 5



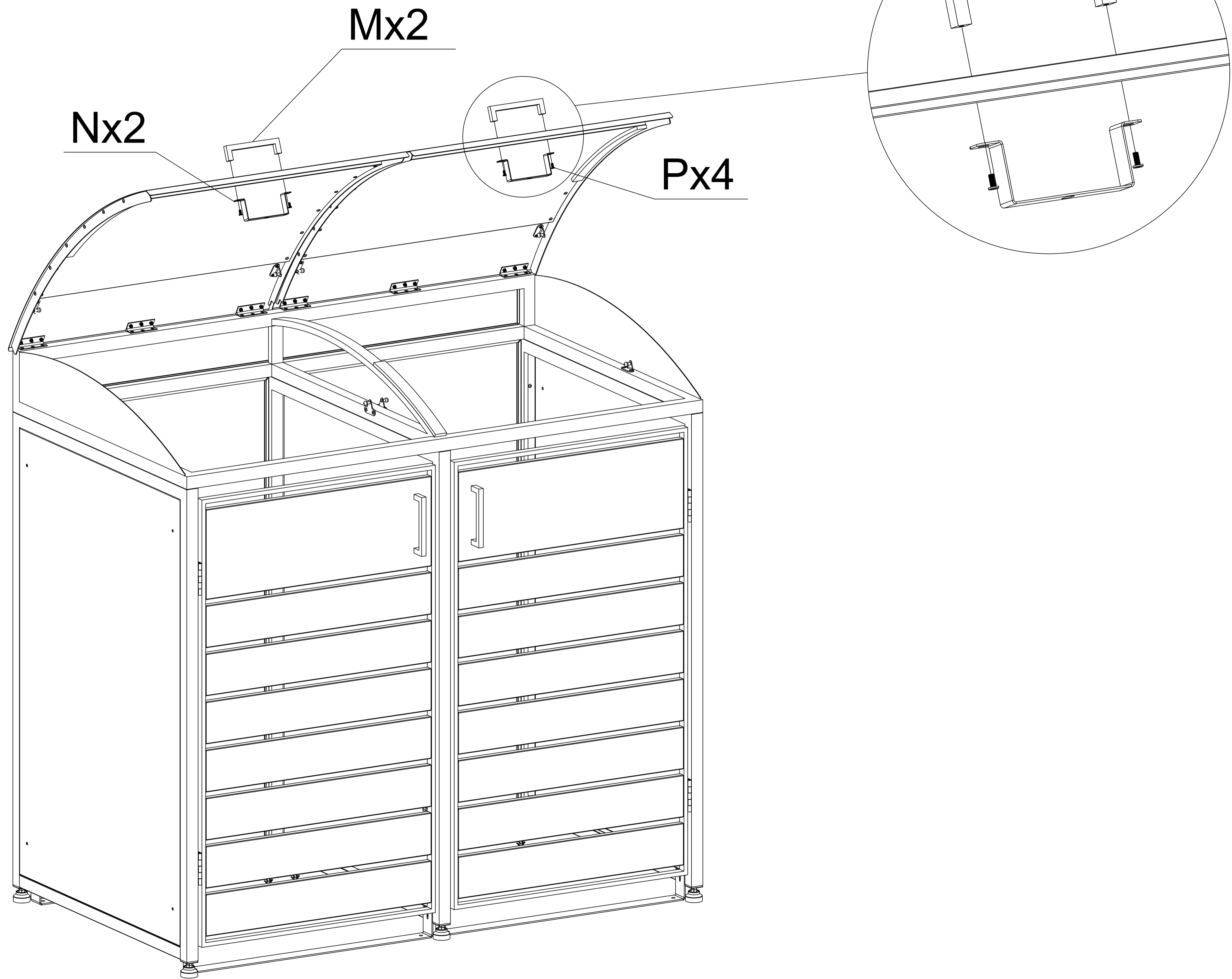
STEP 6



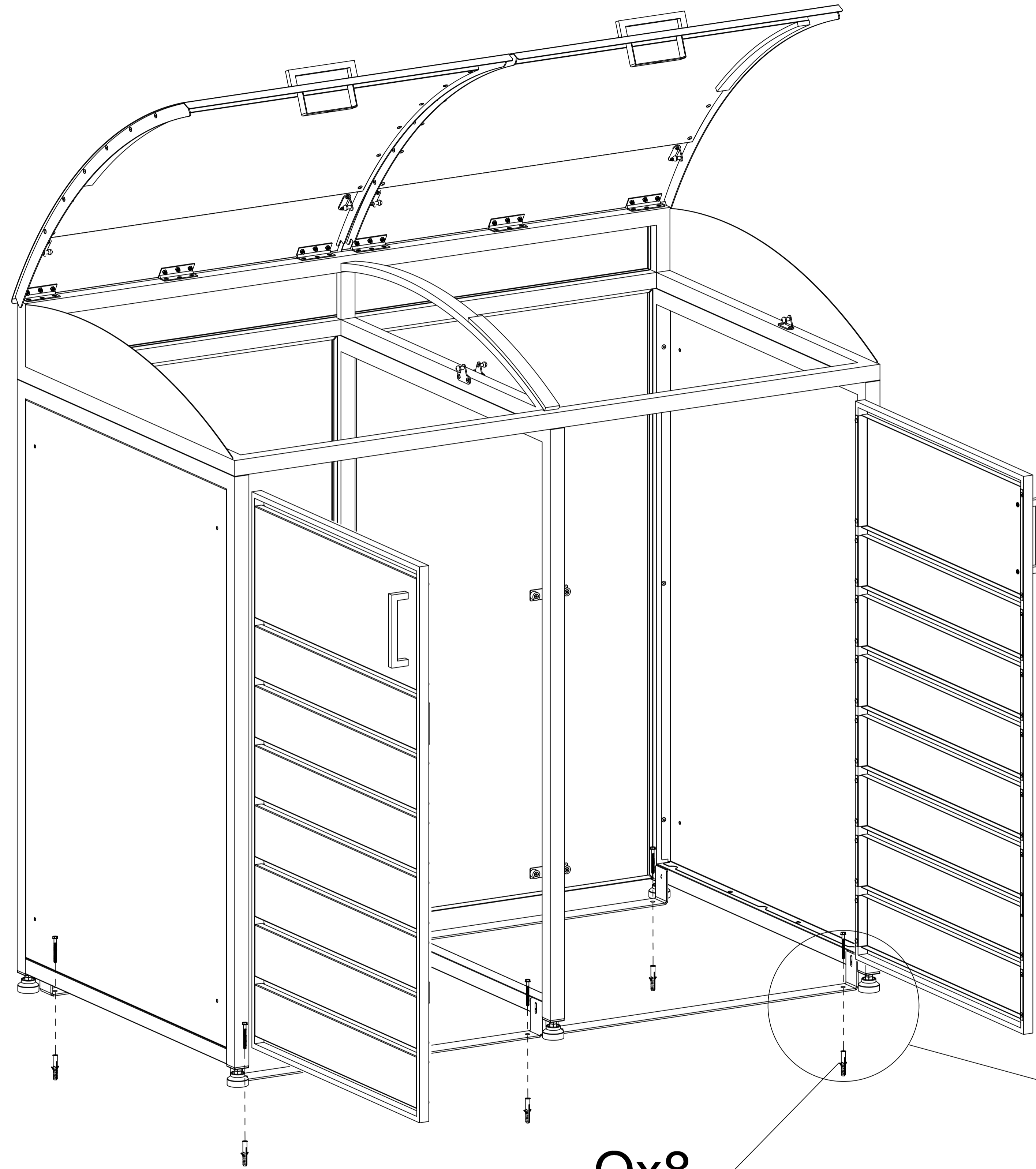
STEP 7



STEP 8

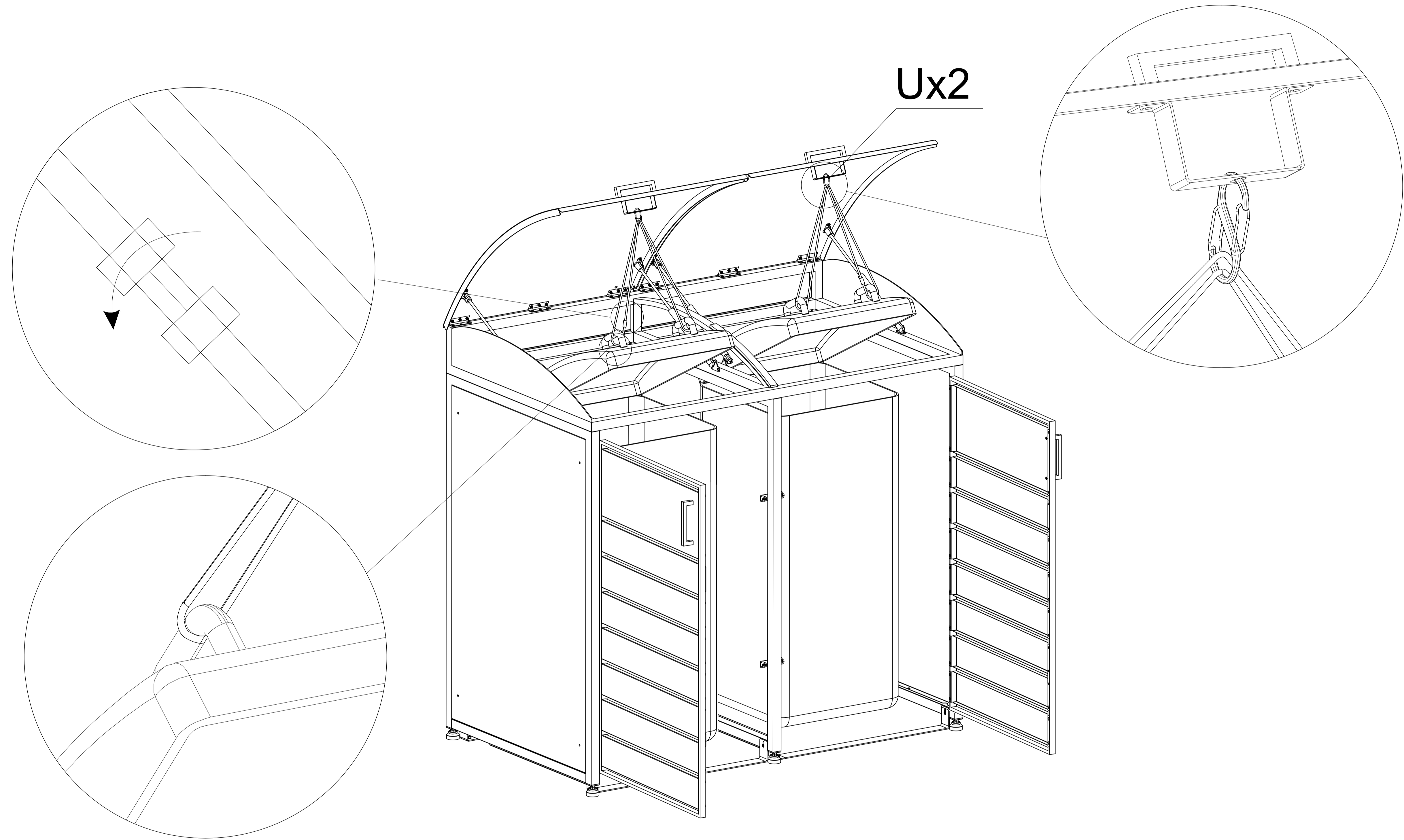


STEP 9

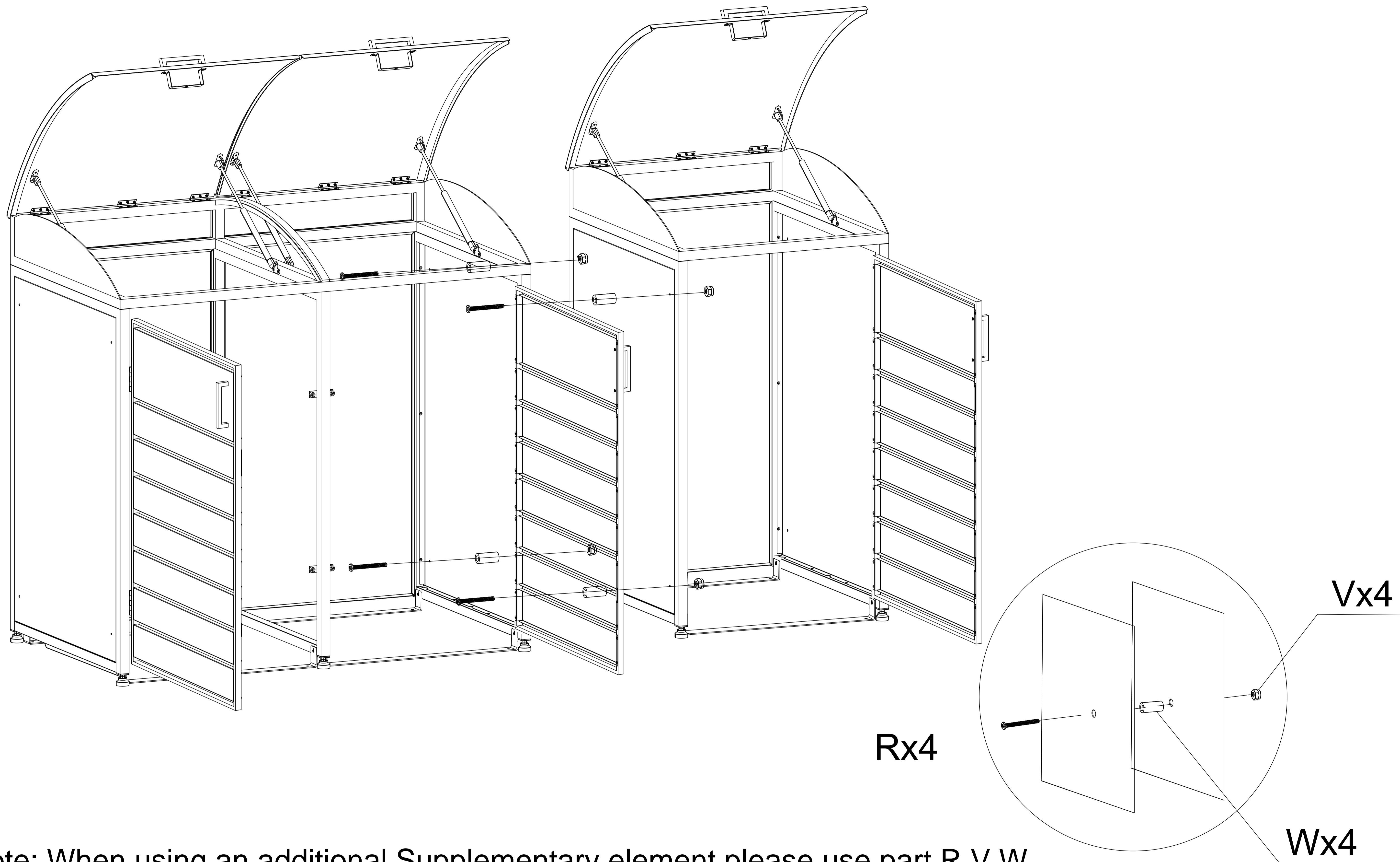


Ox8

STEP 10



STEP11



Note: When using an additional Supplementary element, please use part R, V, W.
Pastaba: kai naudojate papildom element , naudokite dalis R, V, W