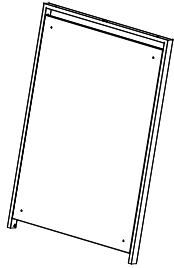
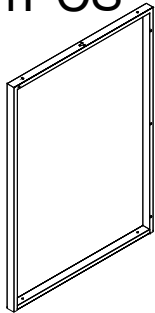


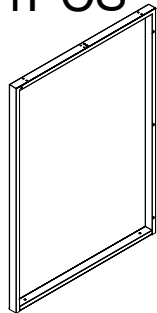
1*1PCS



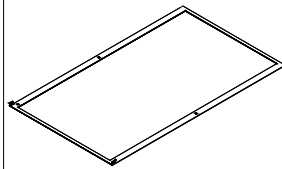
2*1PCS



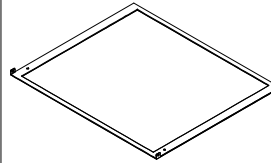
3*1PCS



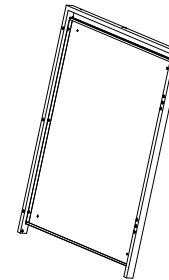
4*1PCS



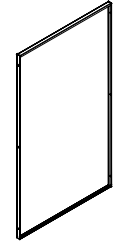
5*1PCS



6*1PCS

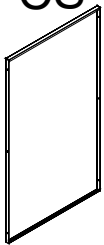


7*2PCS



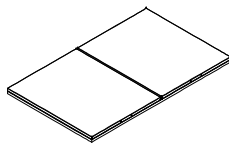
1014*598*20mm

8*1PCS

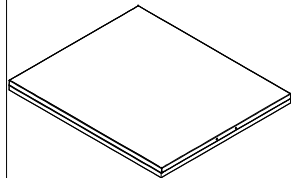


1014*623*20mm

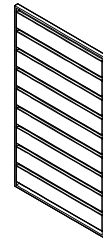
9*1PCS



10*1PCS

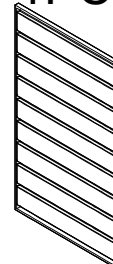


11*2PCS



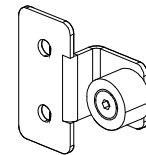
1014*580*22mm

12*1PCS

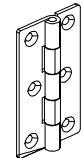


1014*605*22mm

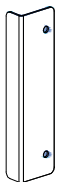
A*6PCS



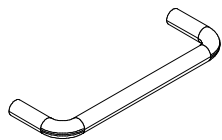
C*6PCS



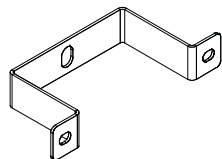
E*3PCS



F*3PCS



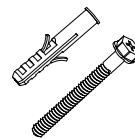
G*3PCS



H*6PCS



I*8PCS

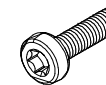


J*36PCS



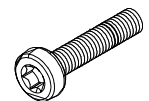
M4*10mm

K*10PCS



M4*20mm

L*15PCS



M4*30mm

M*46PCS

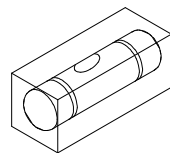


M4*12mm

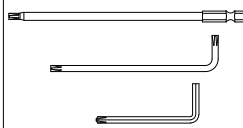
N*3PCS



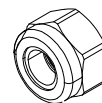
O*1PCS



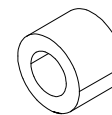
P*1PCS



Q*4PCS



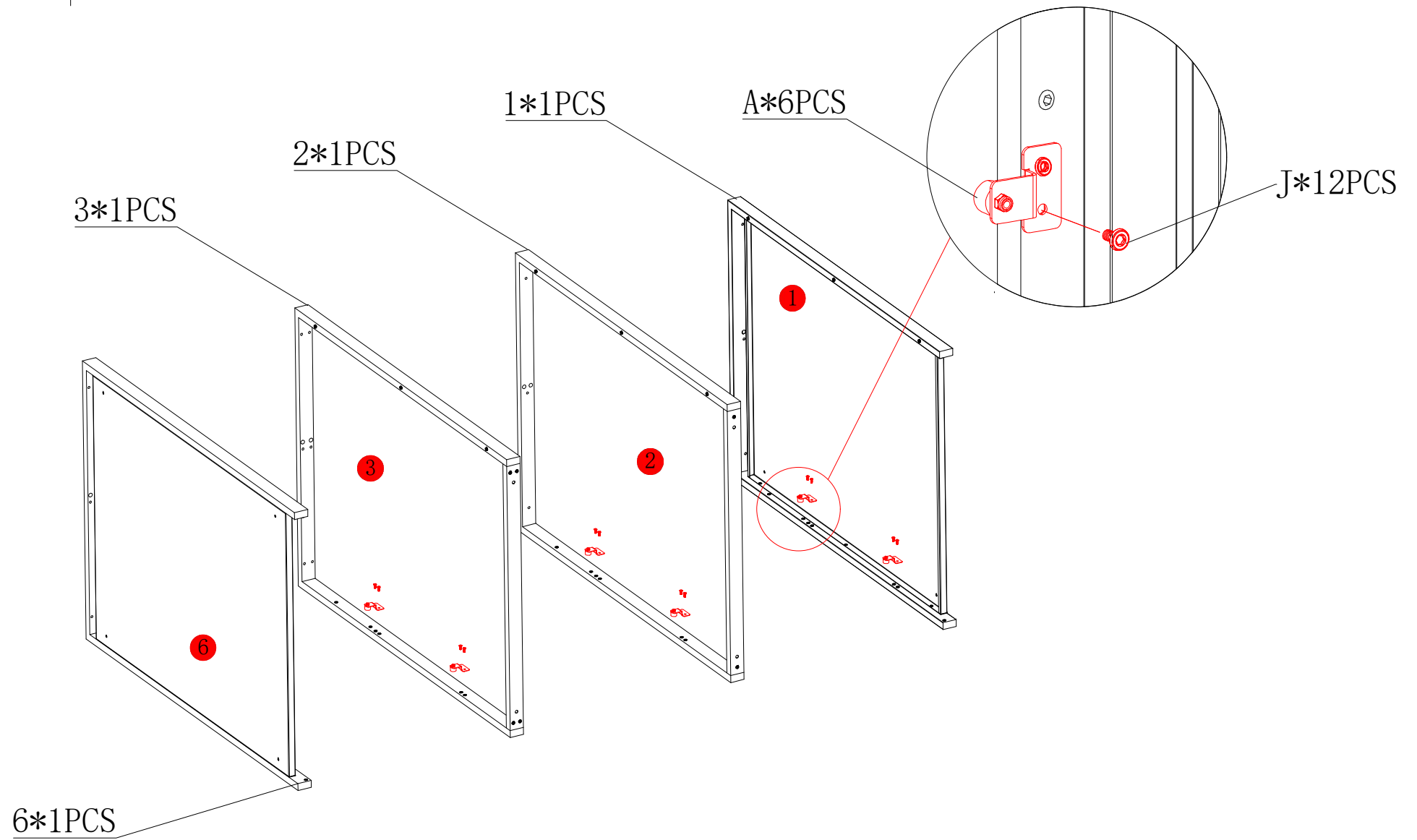
R*4PCS



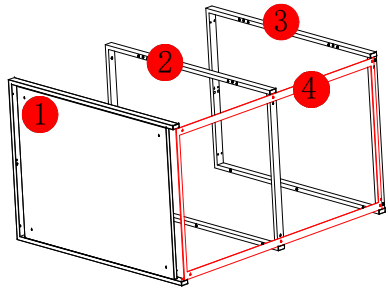
Y1x6PCS



Step-1



Step-2



1*1PCS

2*1PCS

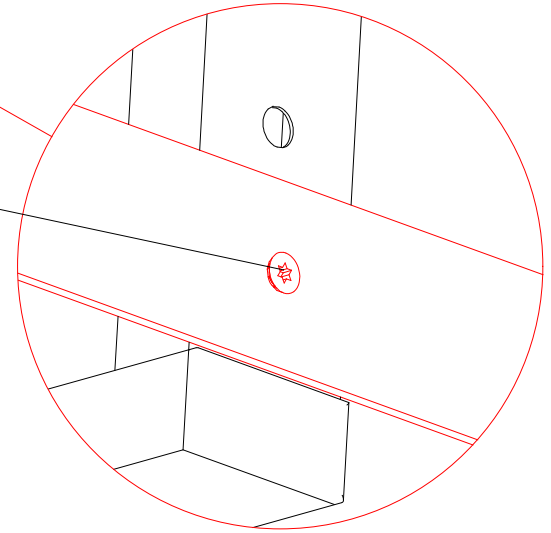
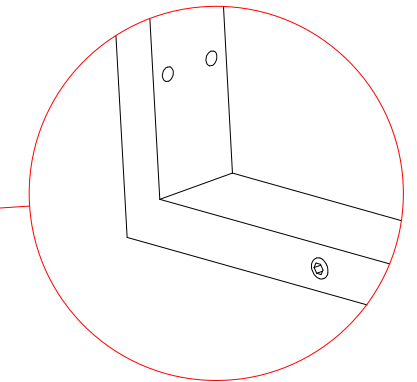
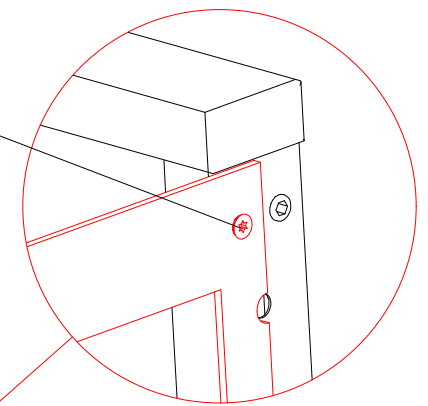
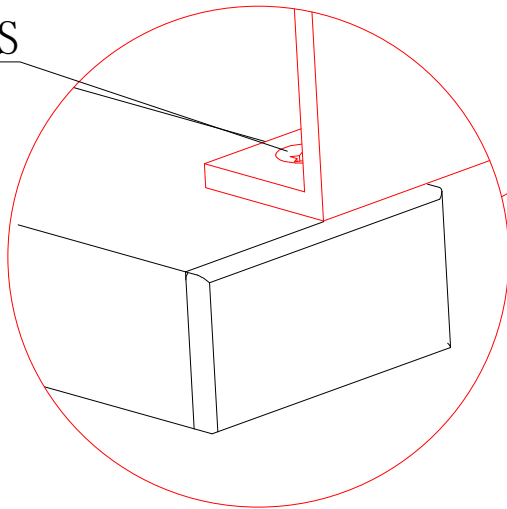
3*1PCS

M*2PCS

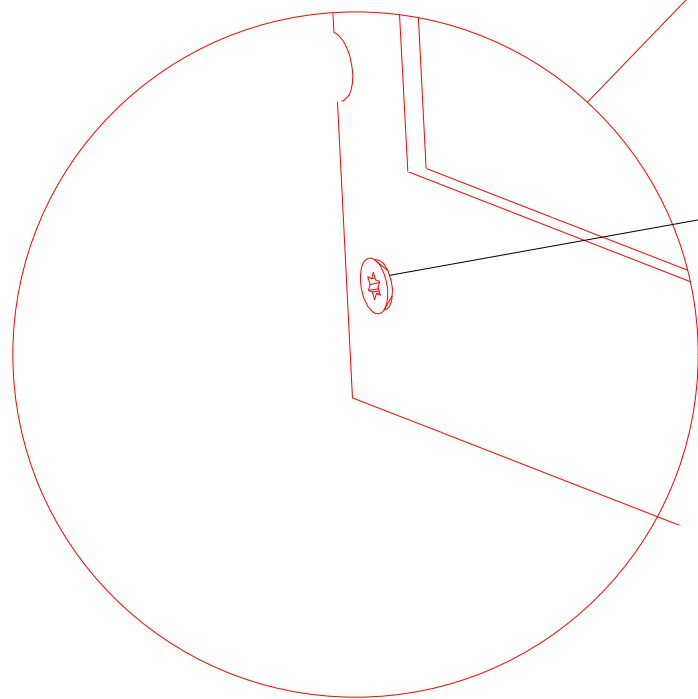
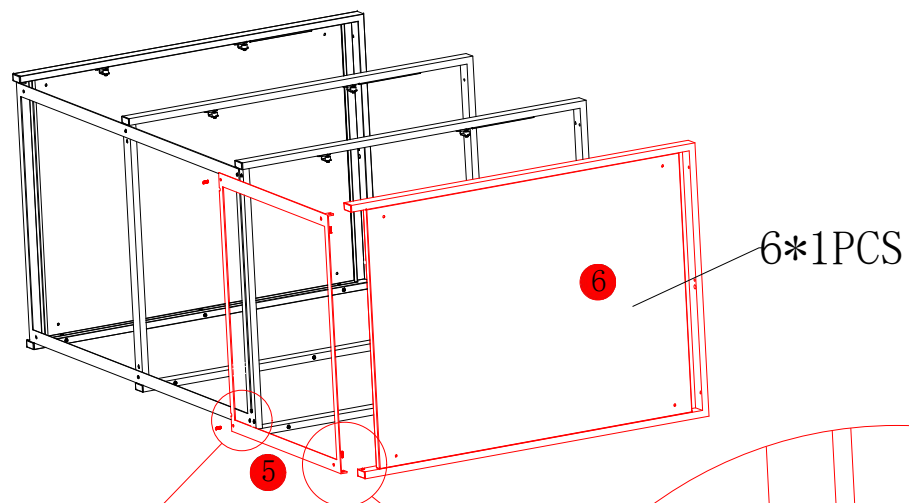
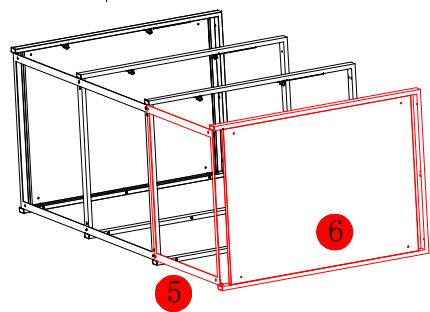
M*2PCS

M*2PCS

4*1PCS

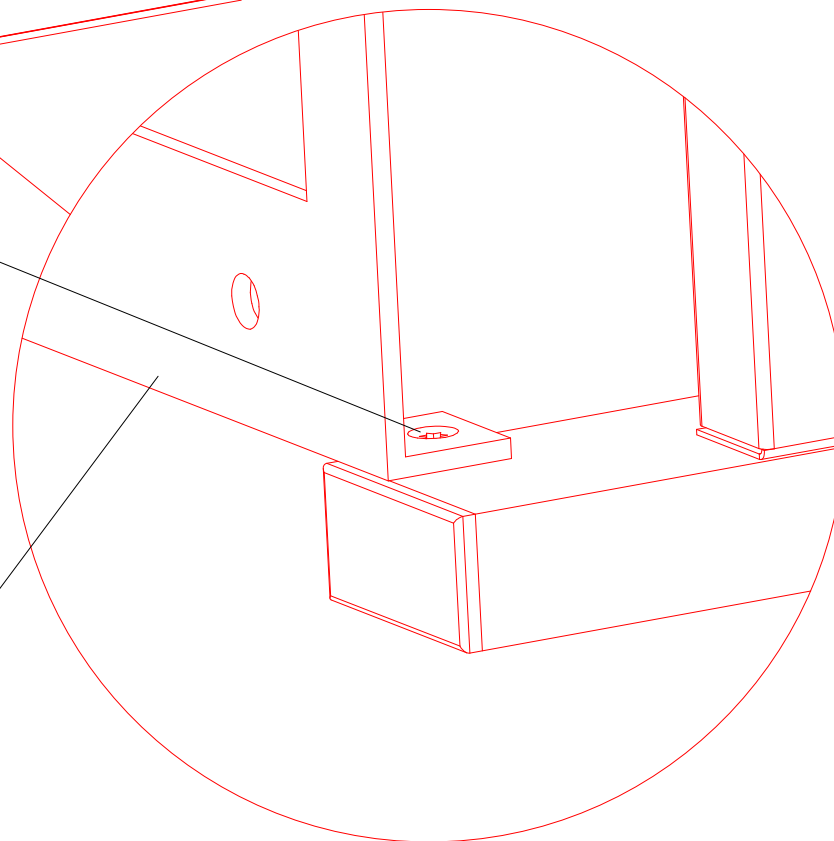


Step-3



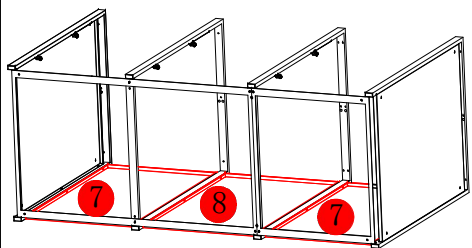
M*2PCS

M*2PCS

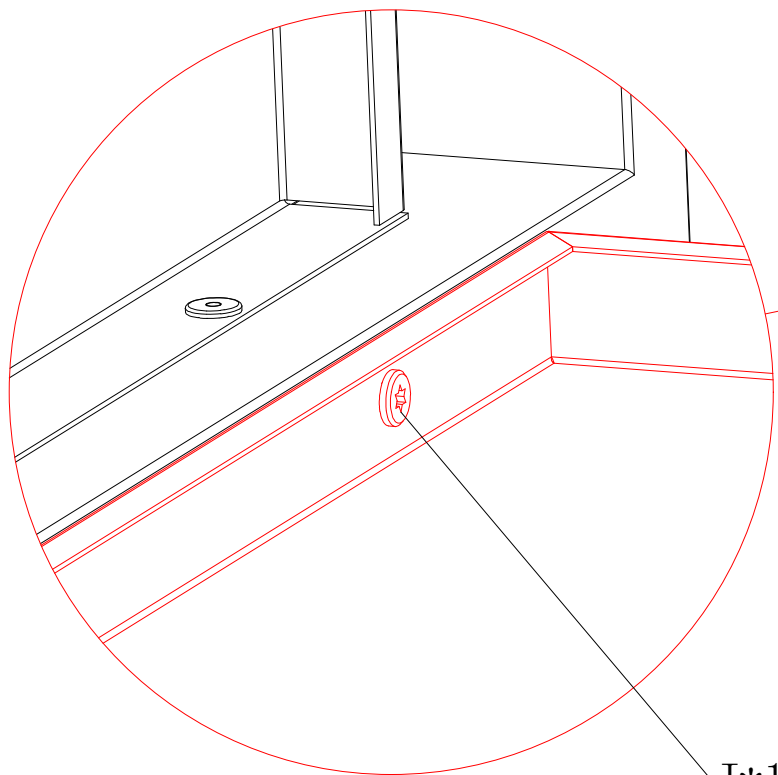
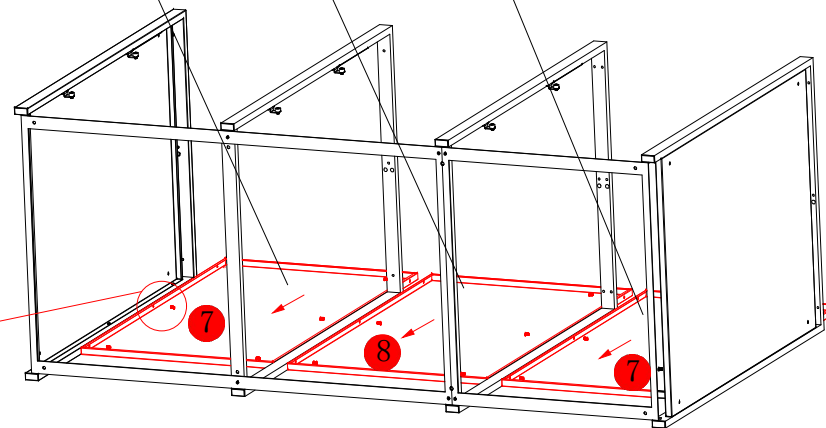


5*1PCS

Step-4

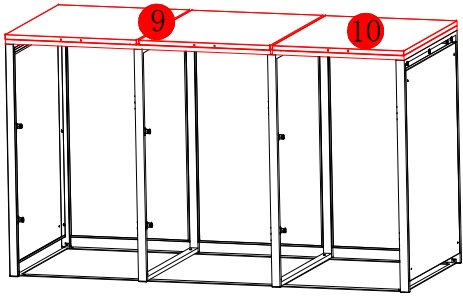


7*1PCS 8*1PCS 7*1PCS



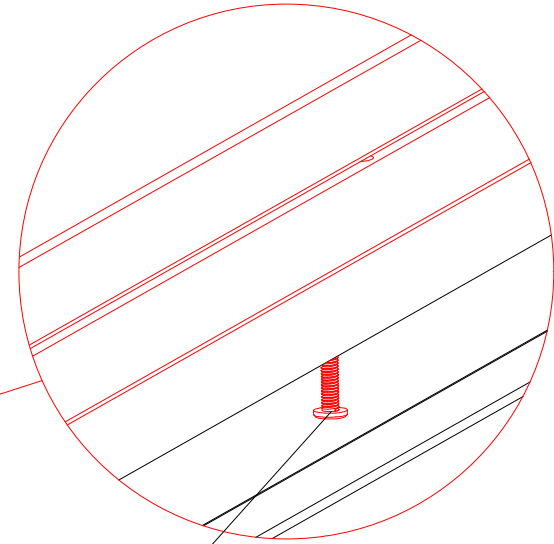
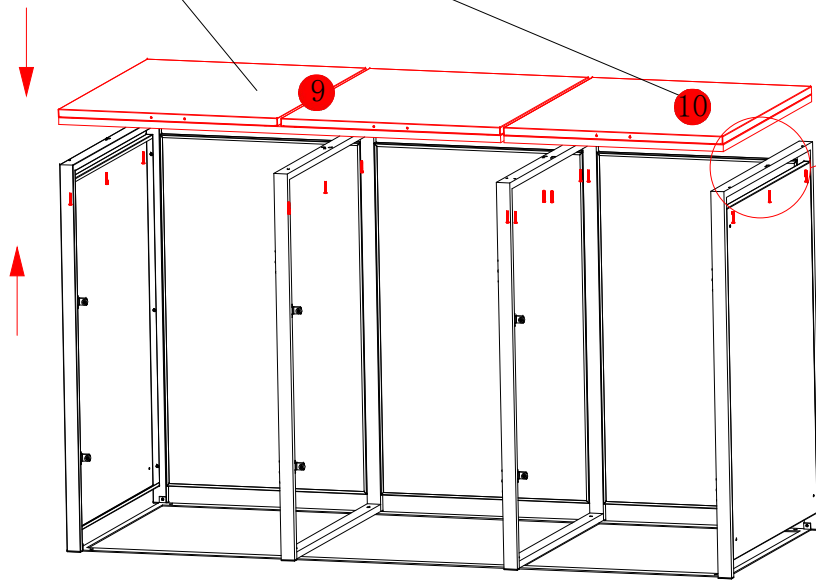
J*18PCS

Step-5



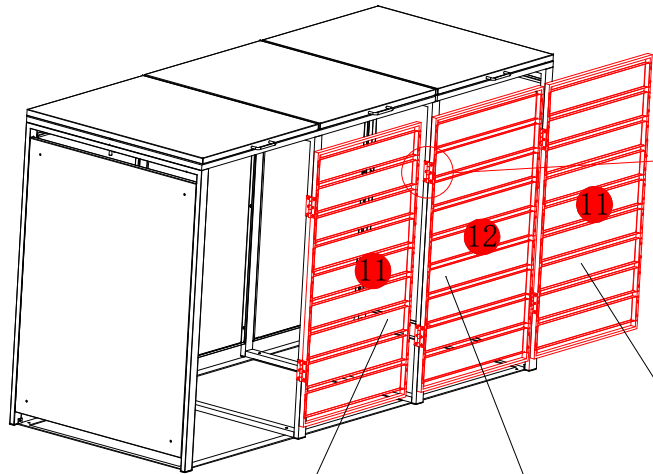
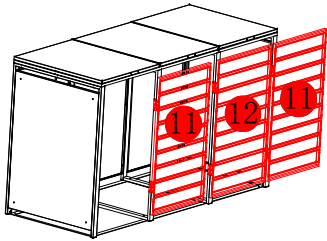
9*1PCS

10*1PCS



L*15PCS

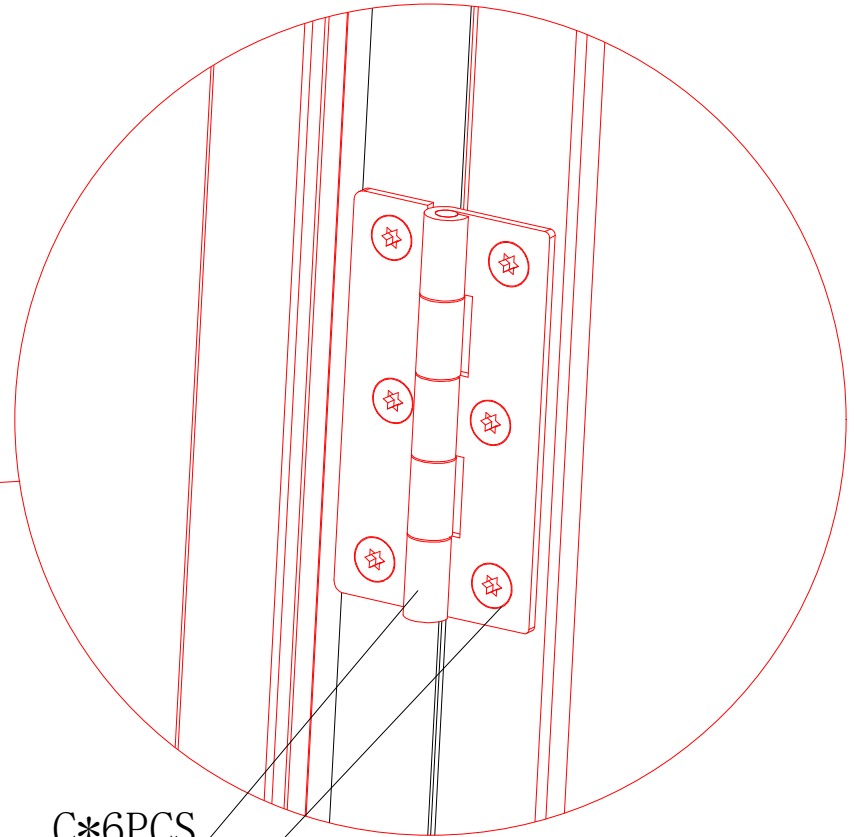
Step-6



11*1PCS

12*1PCS

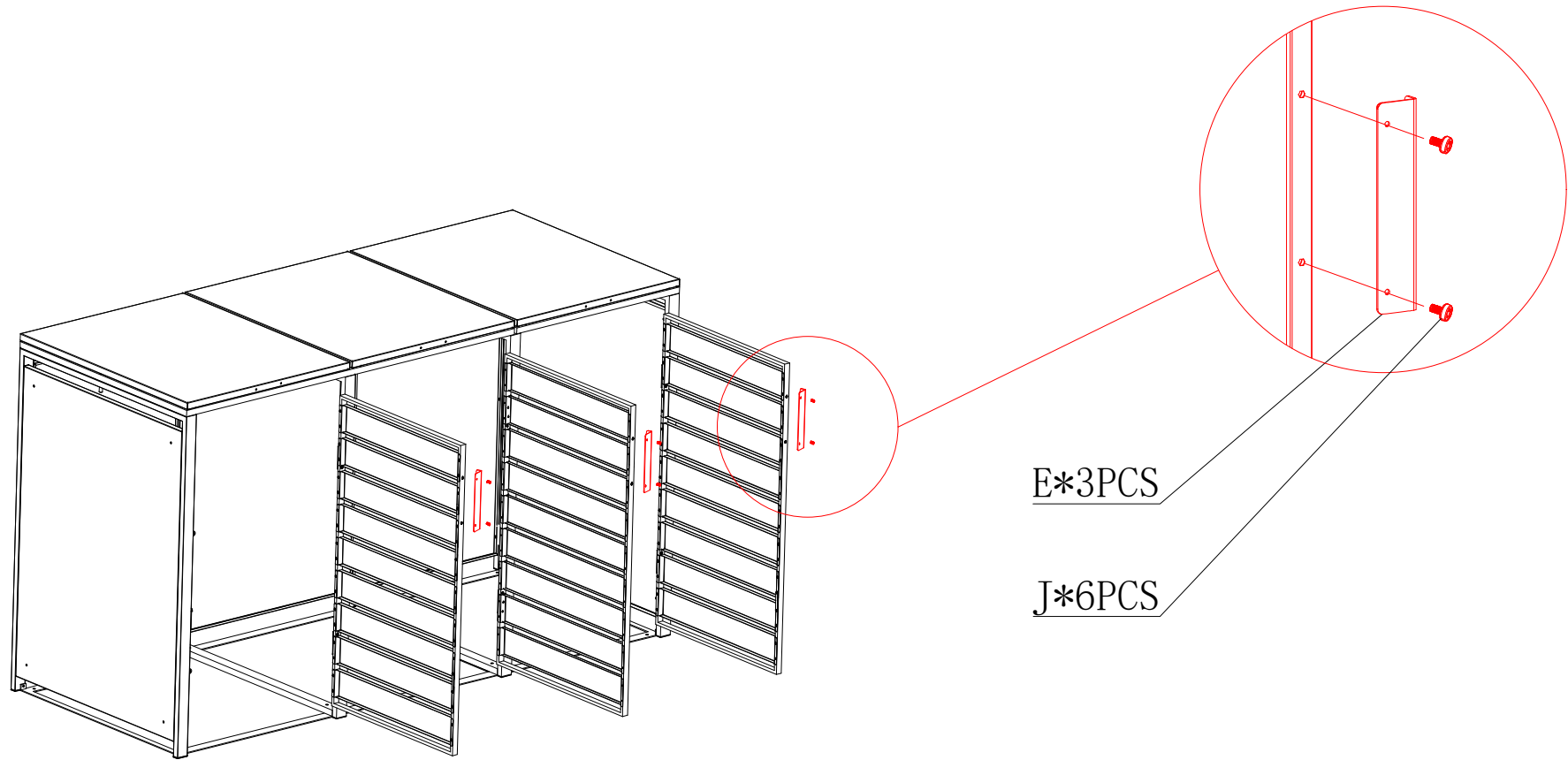
11*1PCS



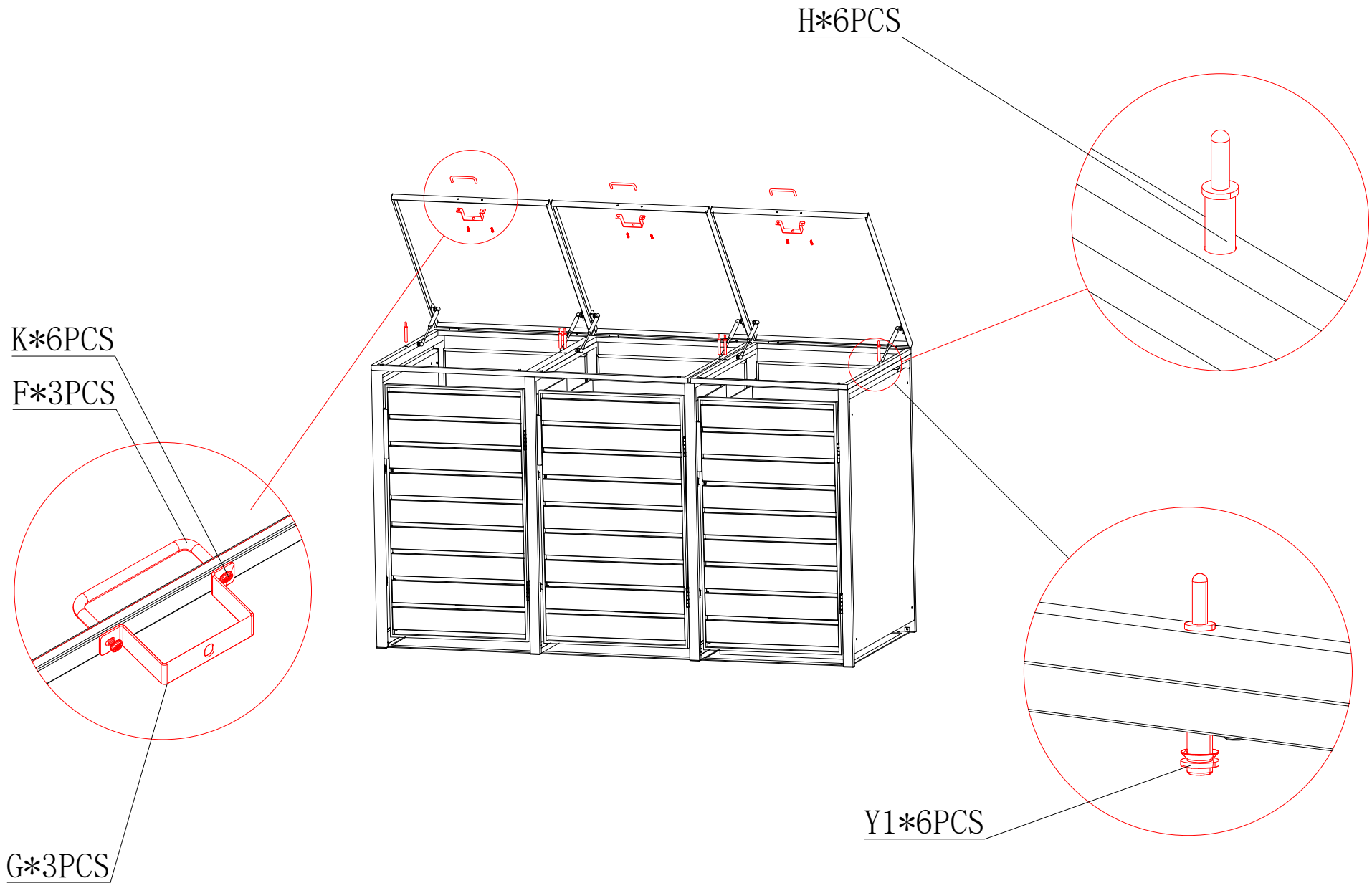
C*6PCS

M*36PCS

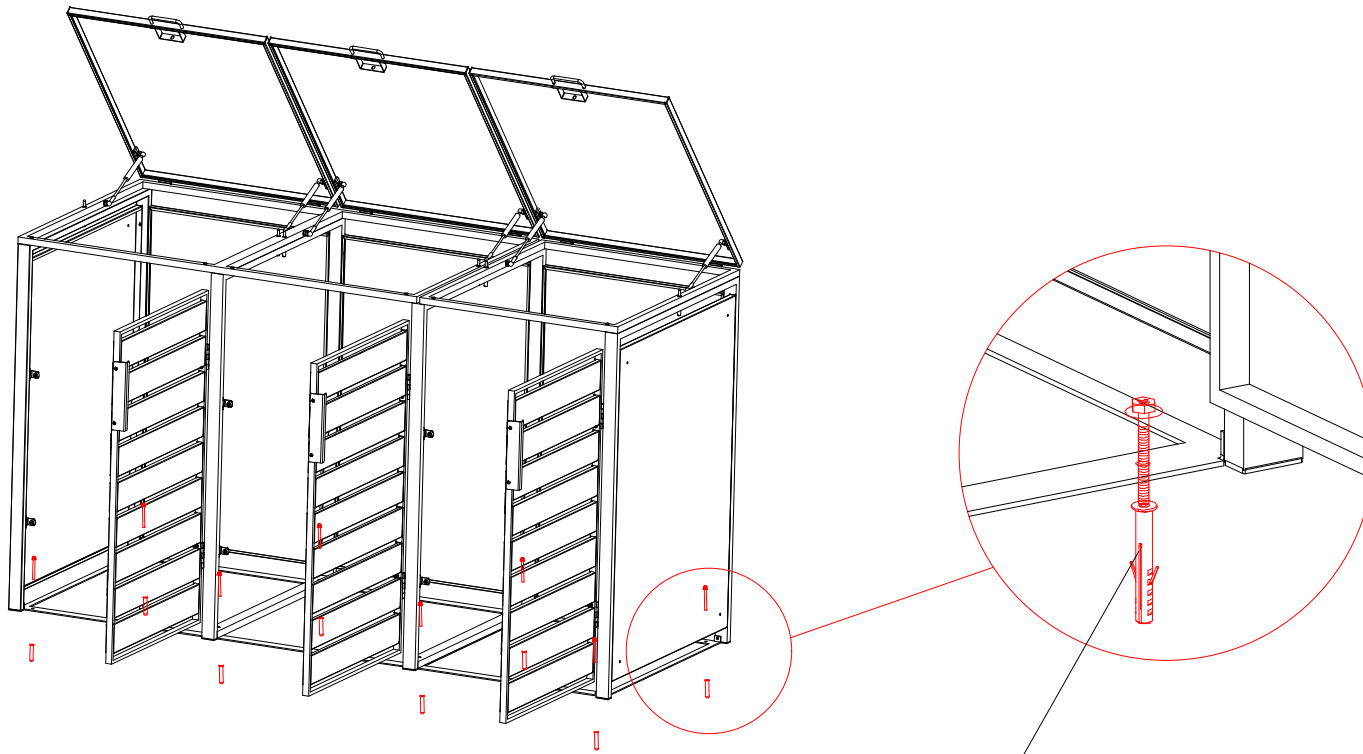
Step-7



Step-8

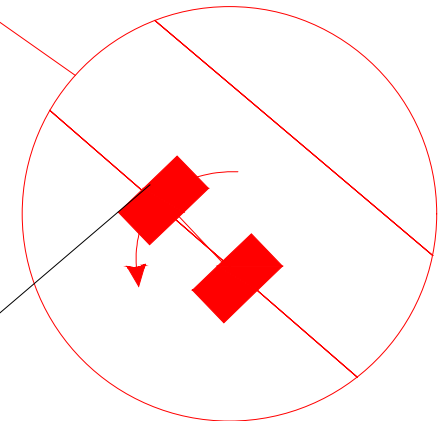
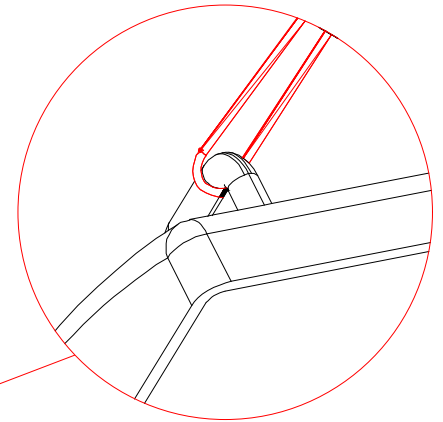
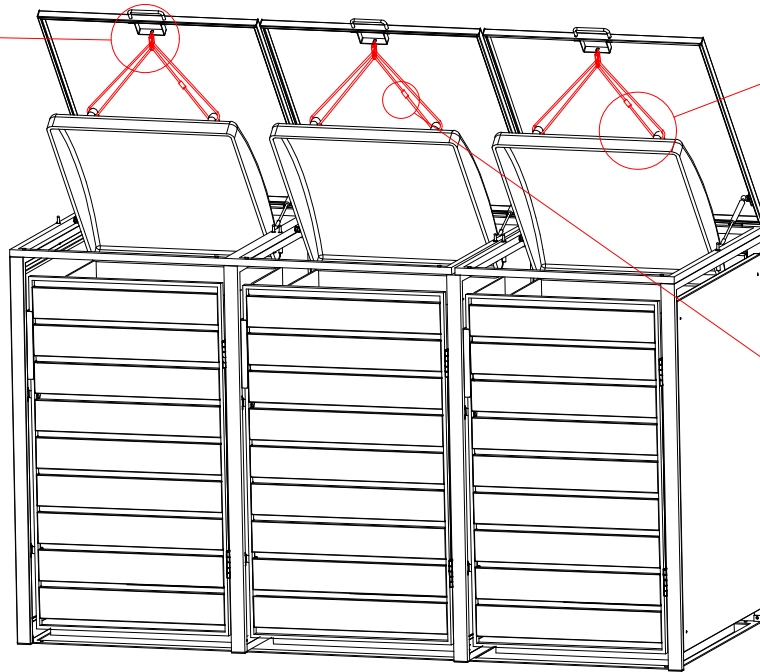
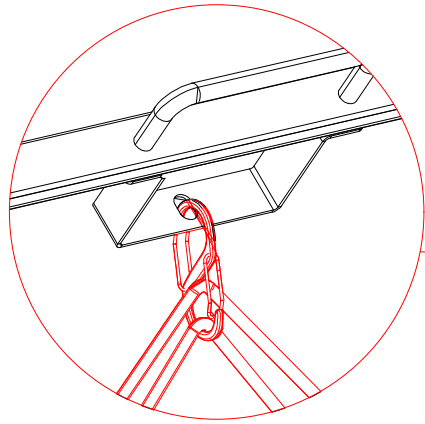


Step-9



I*8PCS

Step-10



N*3PCS