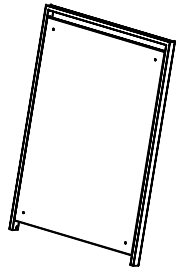
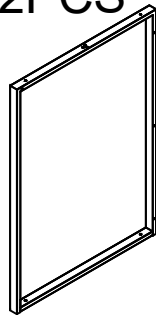


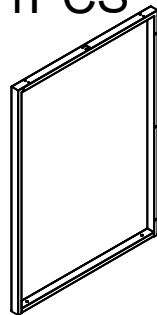
1*1PCS



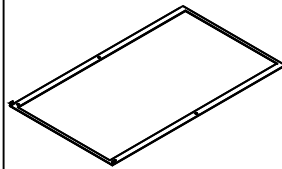
2*2PCS



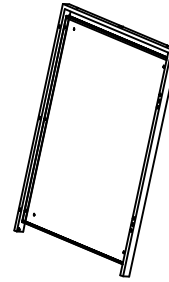
3*1PCS



4*2PCS



5*1PCS

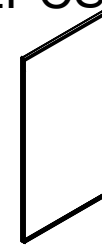


6*2PCS



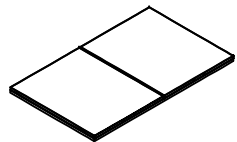
1014*598*20mm

7*2PCS

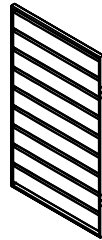


1014*623*20mm

8*2PCS

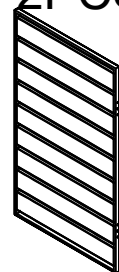


9*2PCS



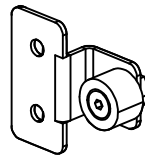
1014*580*22mm

10*2PCS

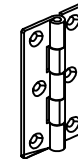


1014*605*22mm

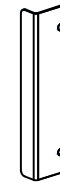
A*8PCS



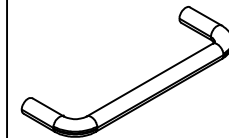
C*8PCS



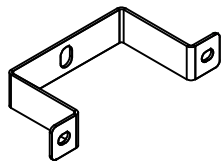
E*4PCS



F*4PCS



G*4PCS



H*8PCS



I*10PCS



J*48PCS



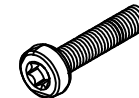
M4*10mm

K*12PCS



M4*20mm

L*18PCS



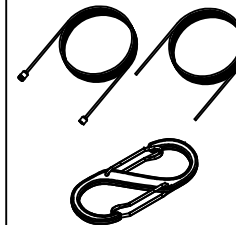
M4*30mm

M*60PCS

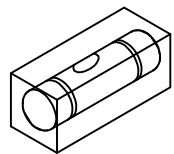


M4*14mm

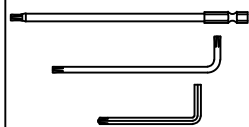
N*4PCS



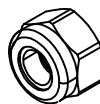
O*1PCS



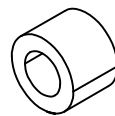
P*1PCS



Q*4PCS



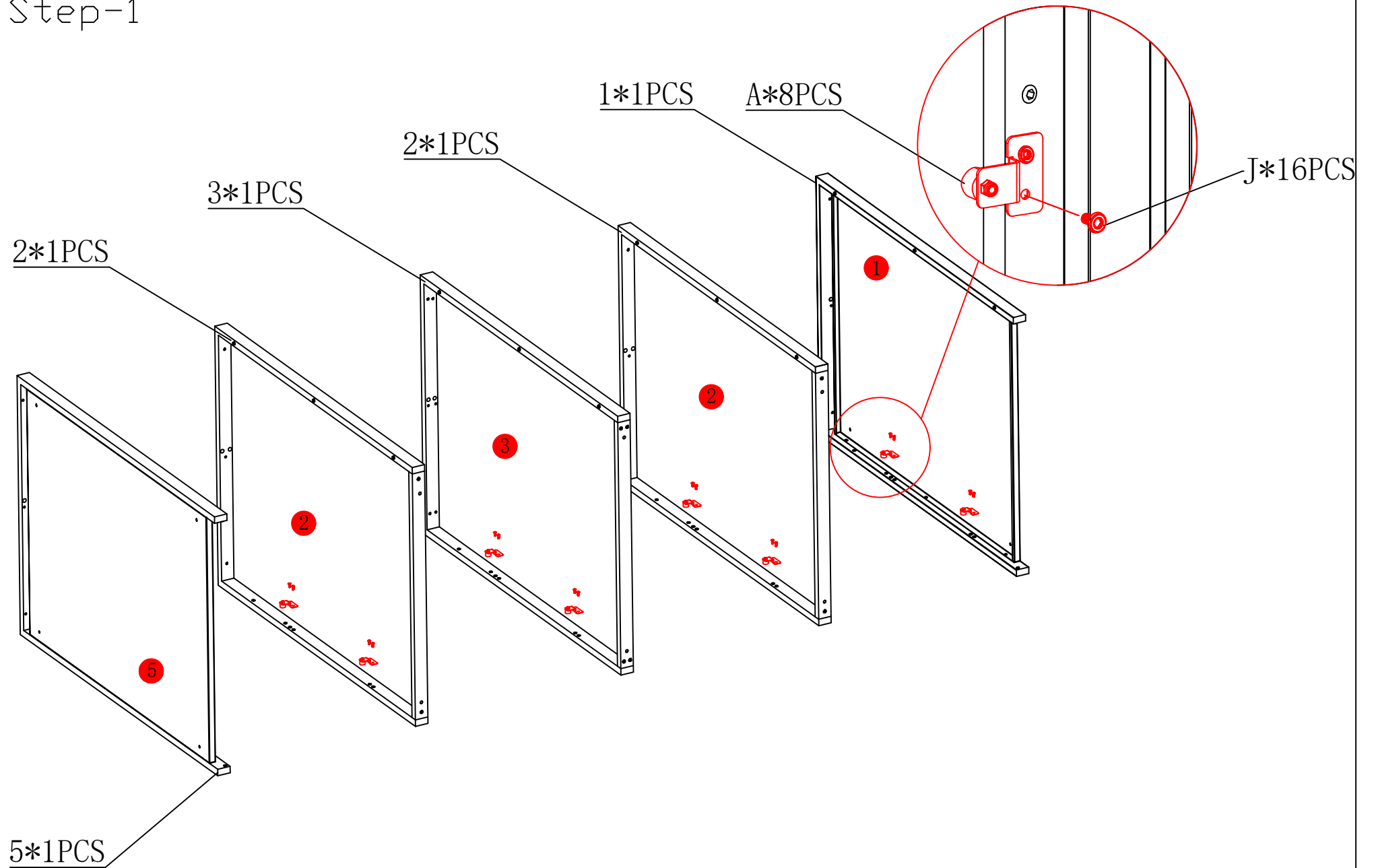
R*4PCS



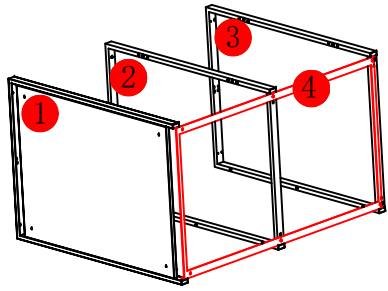
Y1x8PCS



Step-1



Step-2



1*1PCS

2*1PCS

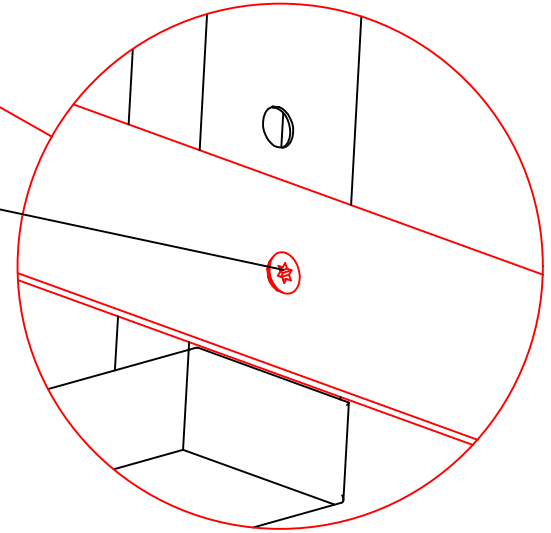
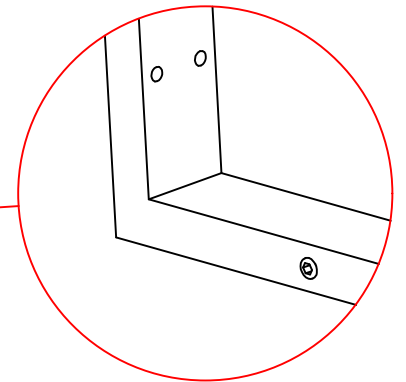
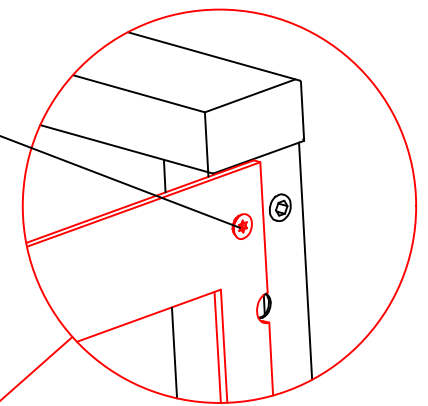
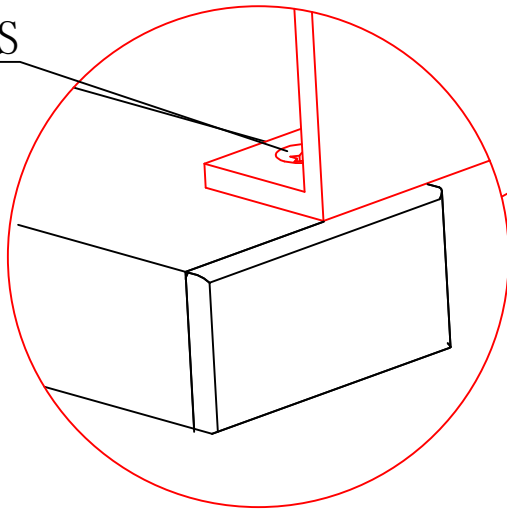
3*1PCS

M*2PCS

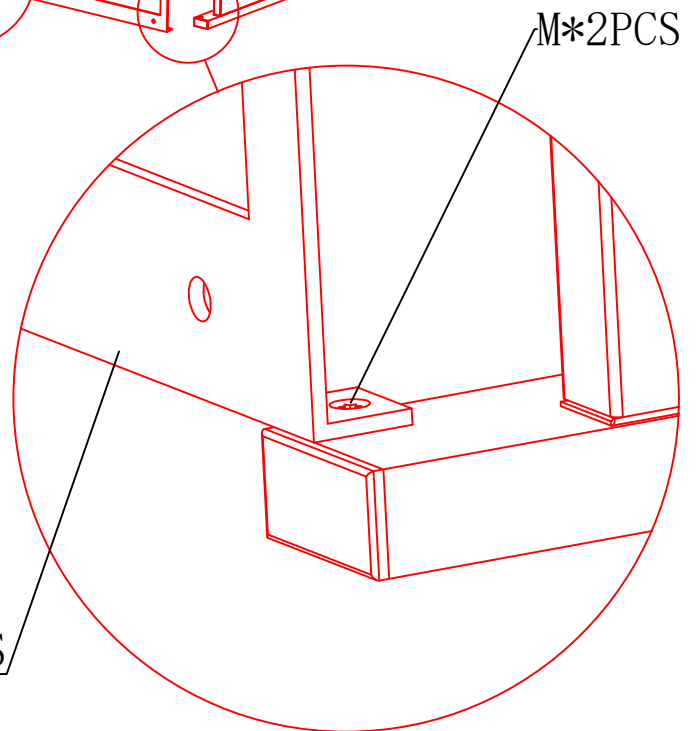
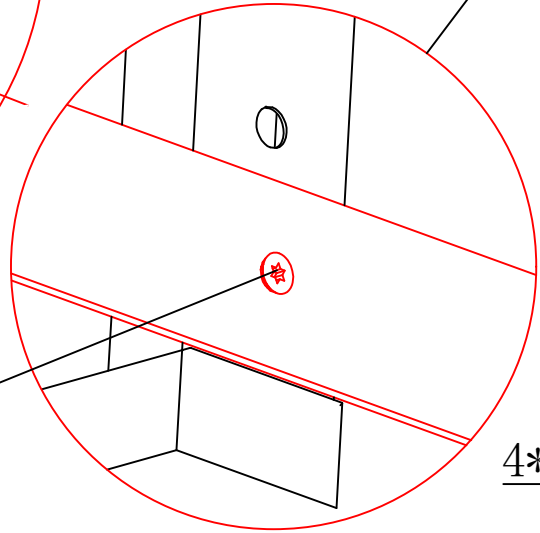
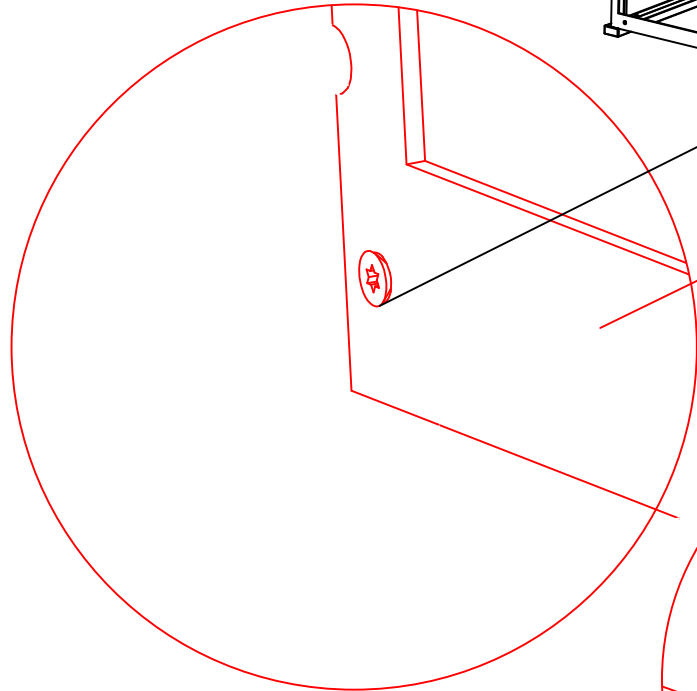
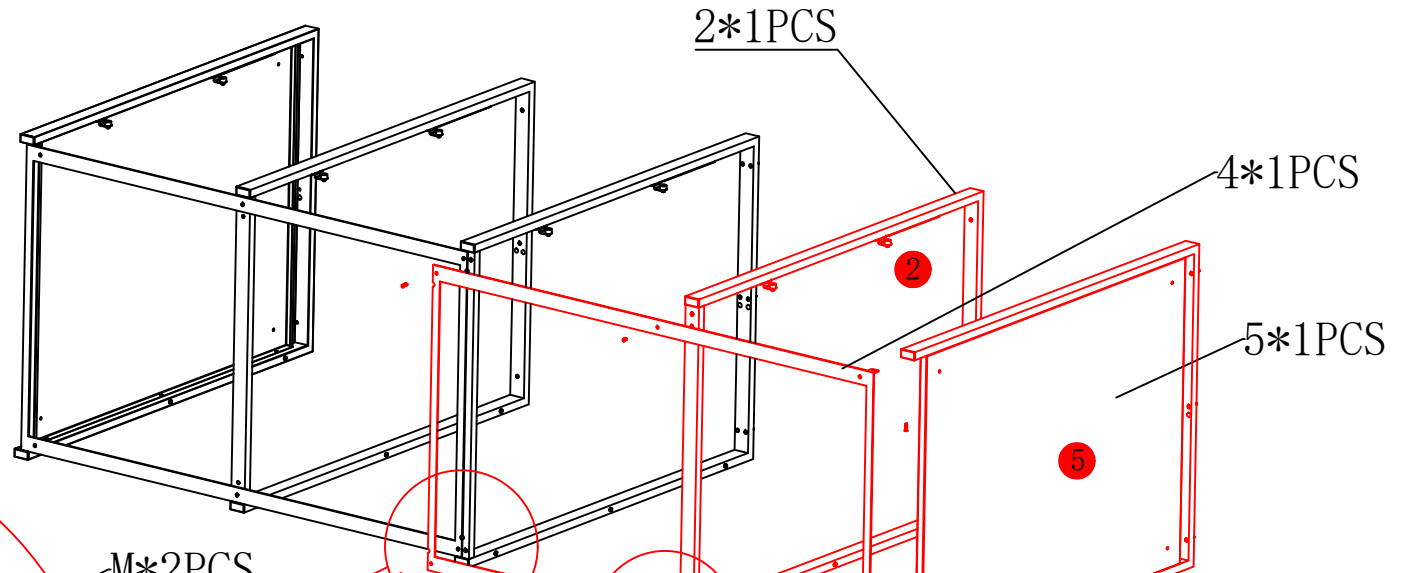
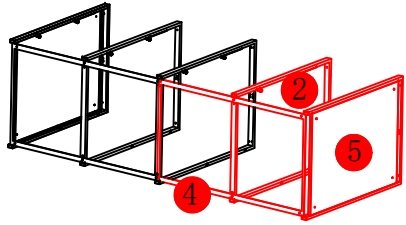
M*2PCS

4*1PCS

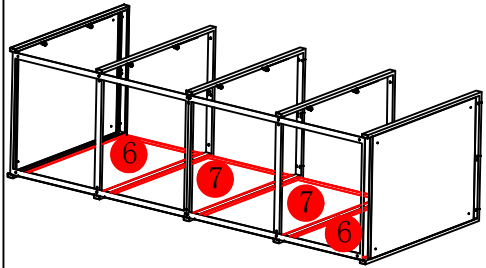
M*2PCS



Step-3



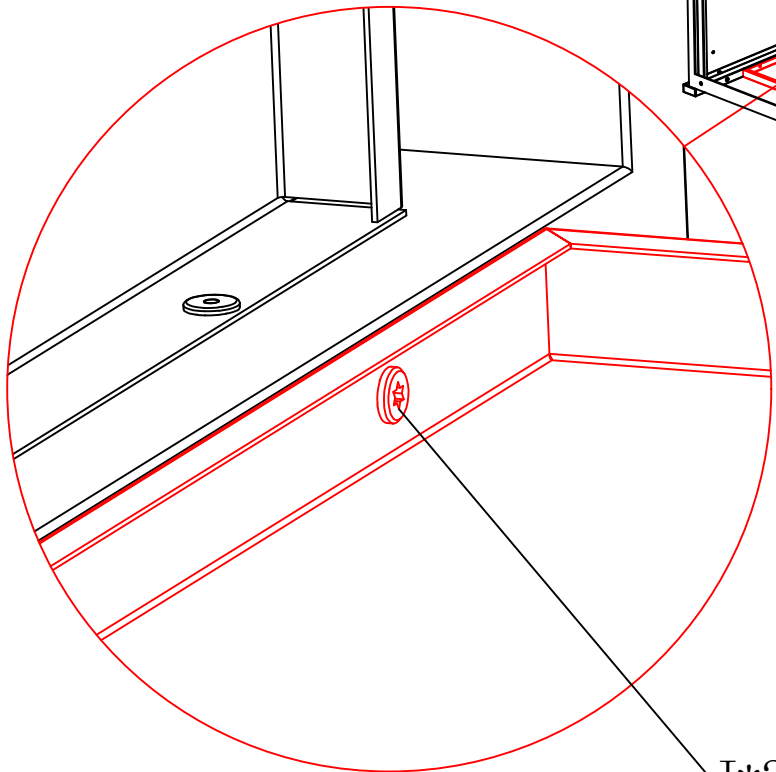
Step-4



6*1PCS

7*1PCS

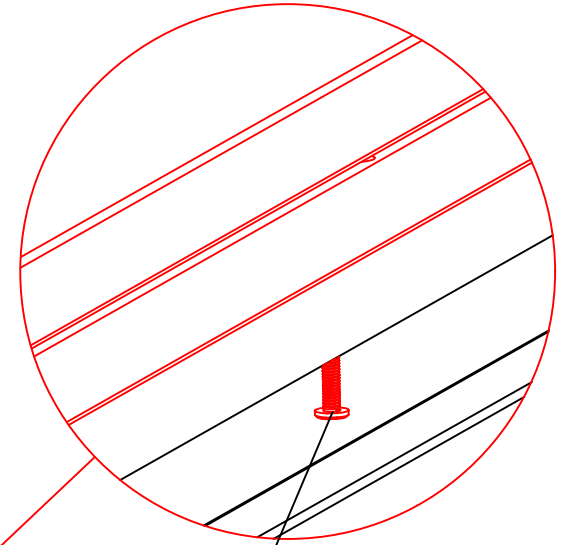
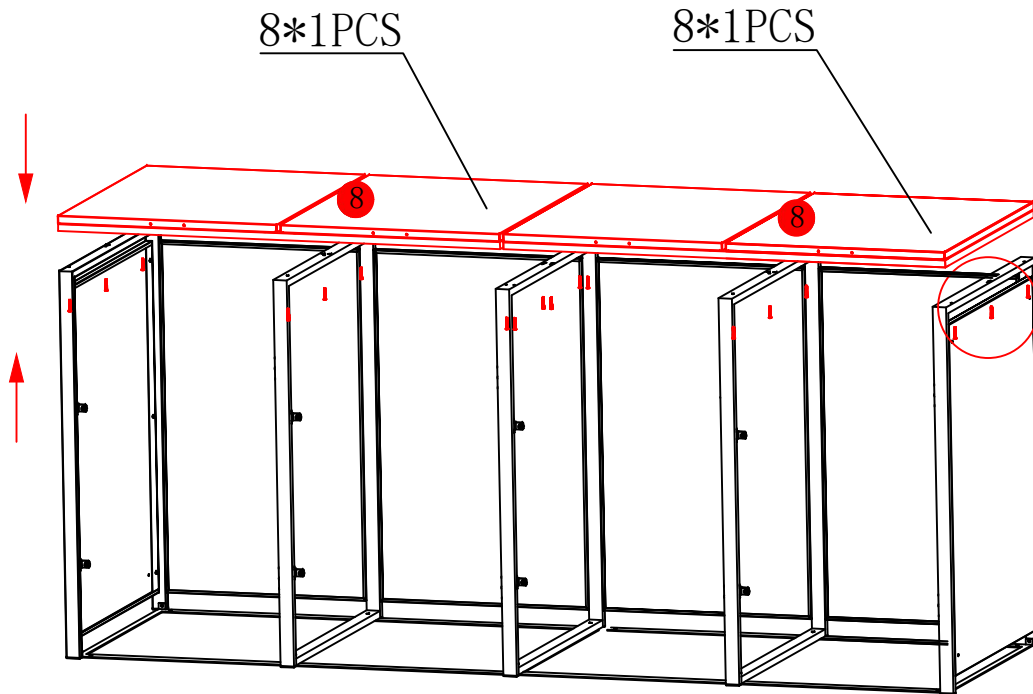
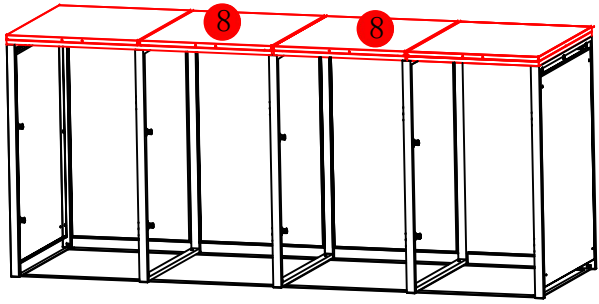
7*1PCS



J*24PCS

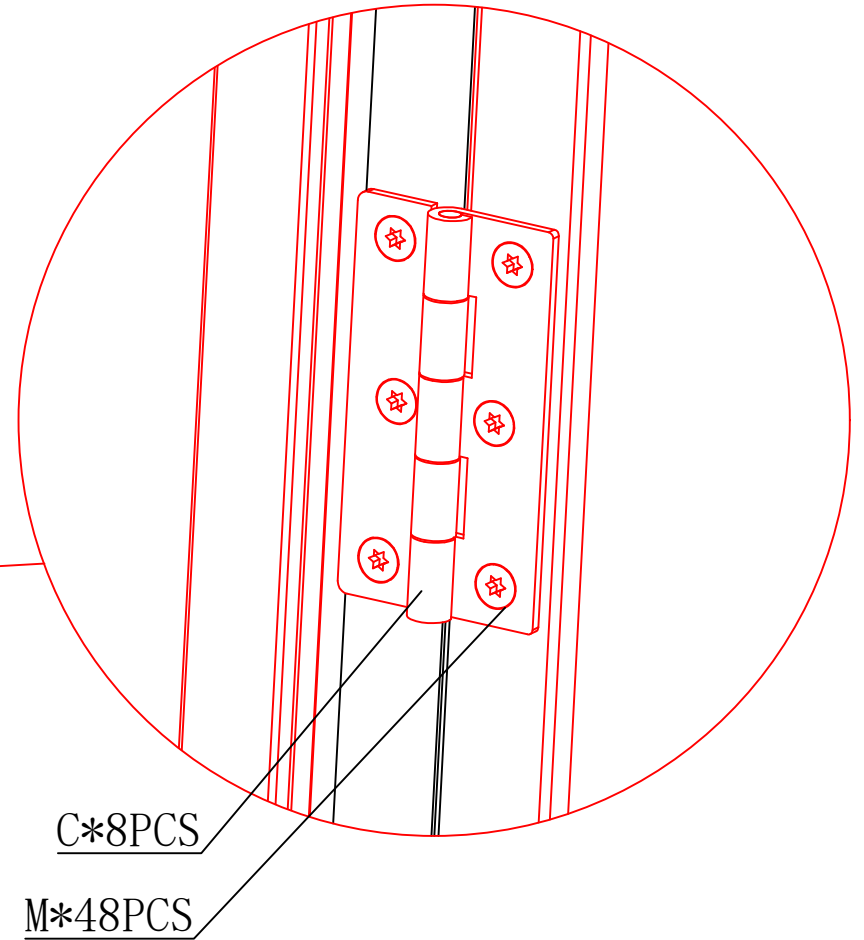
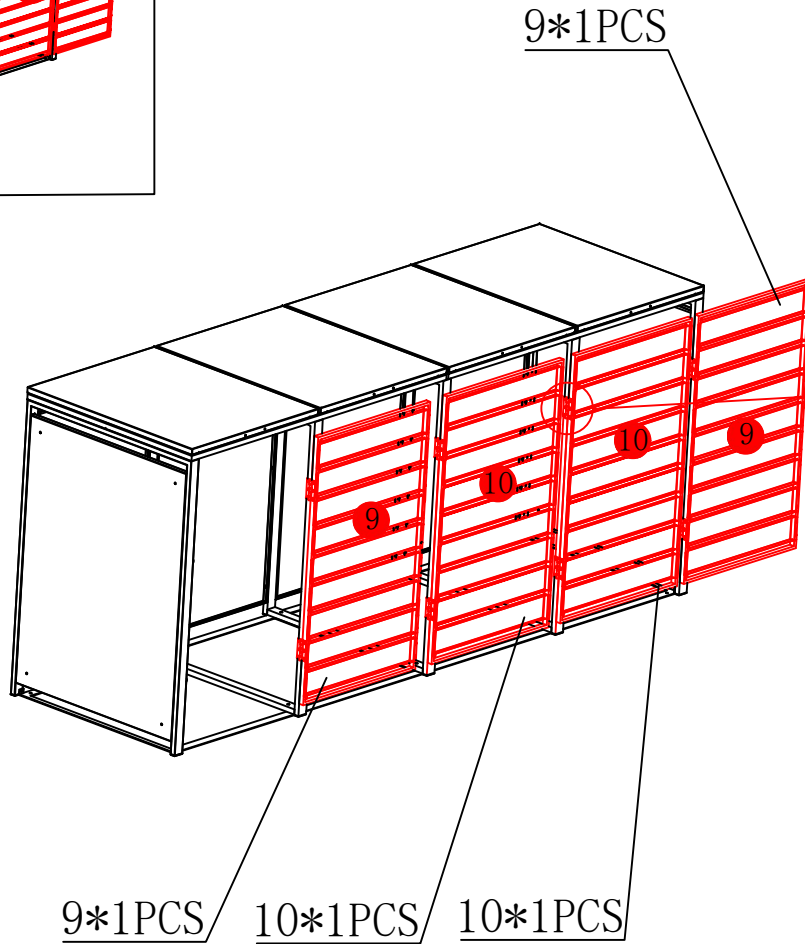
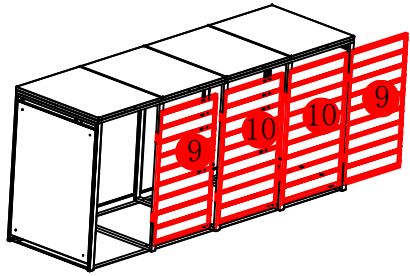
6*1PCS

Step-5

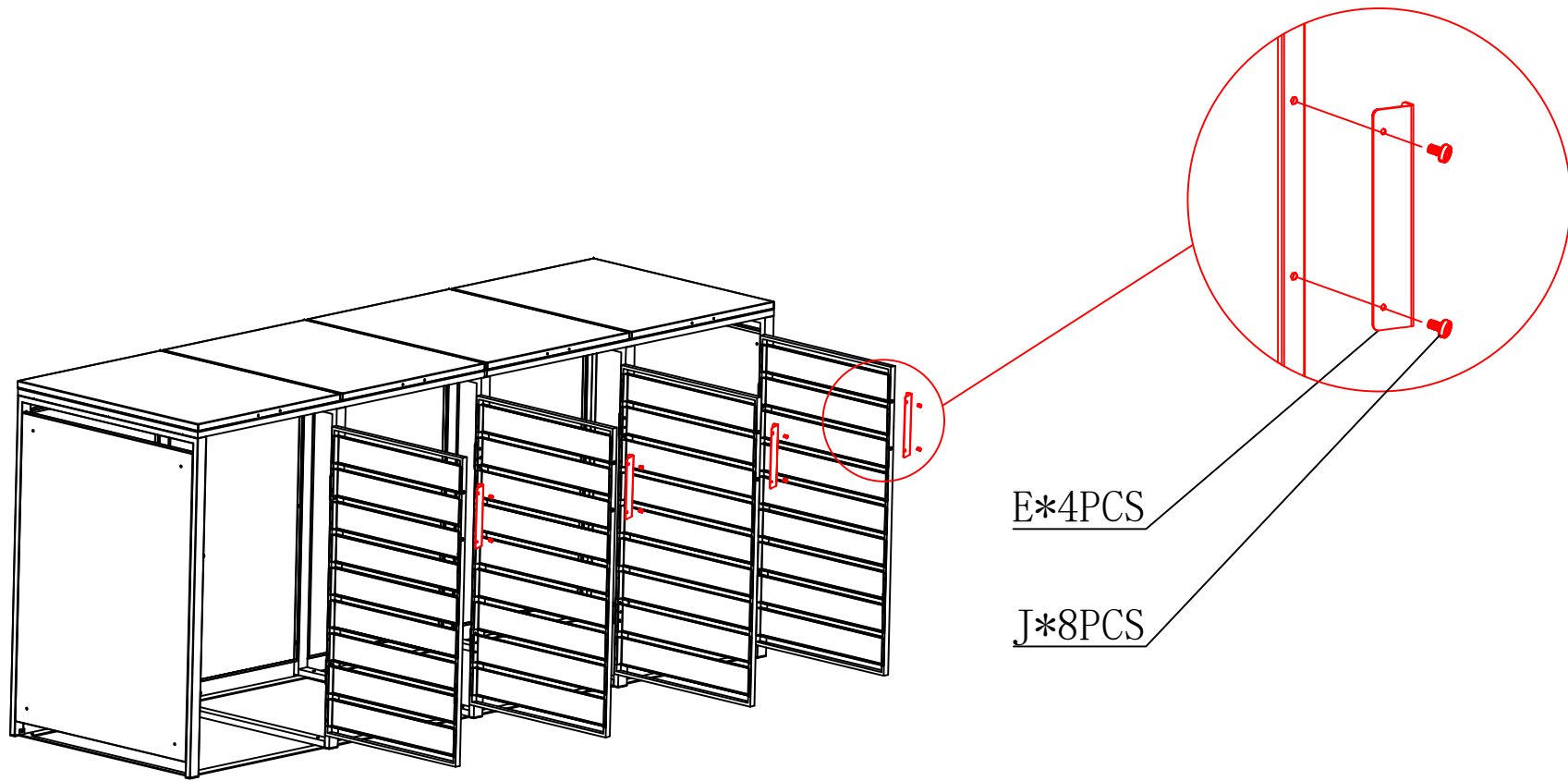


L*18PCS

Step-6



Step-7



Step-8

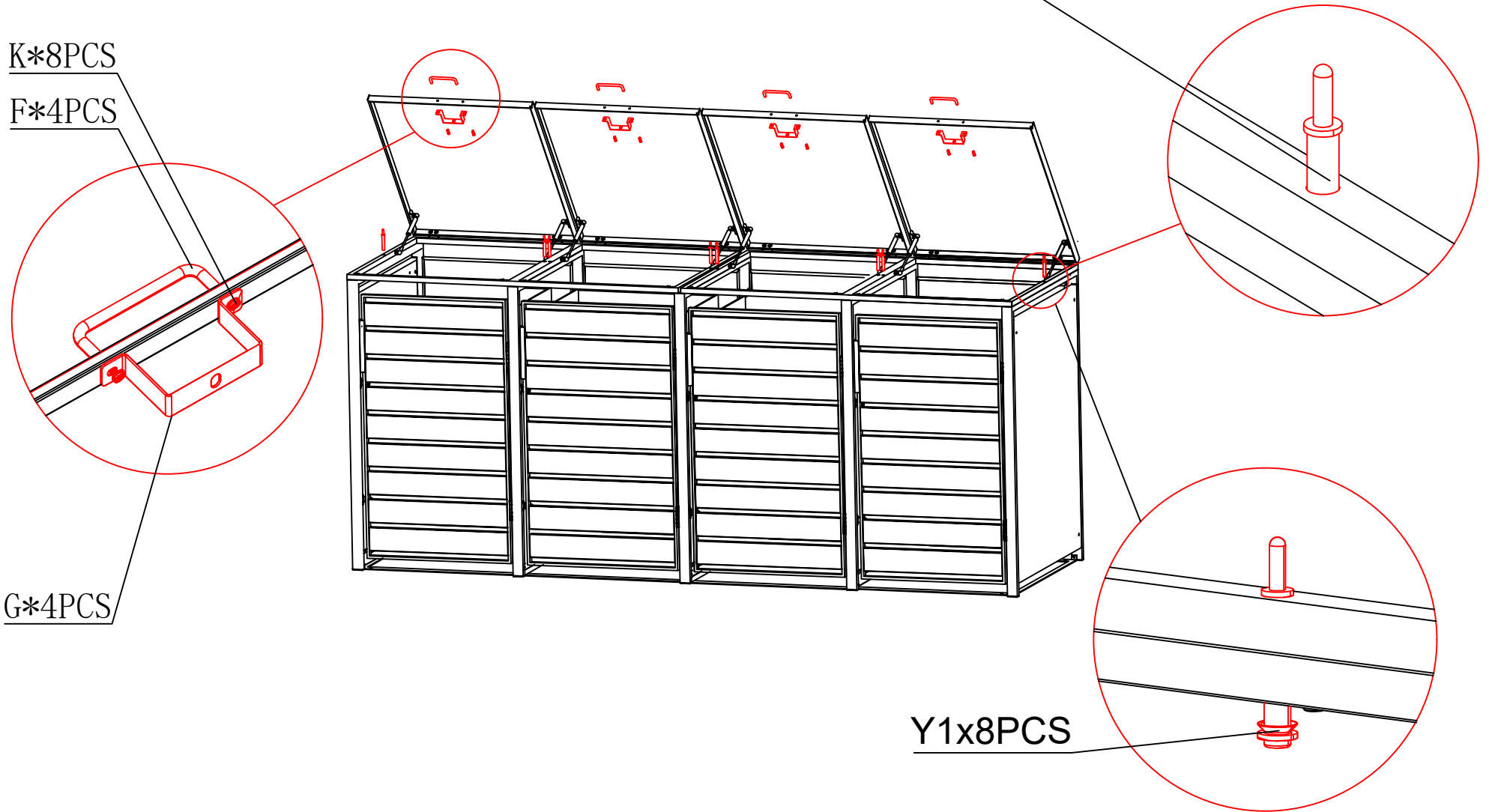
K*8PCS

F*4PCS

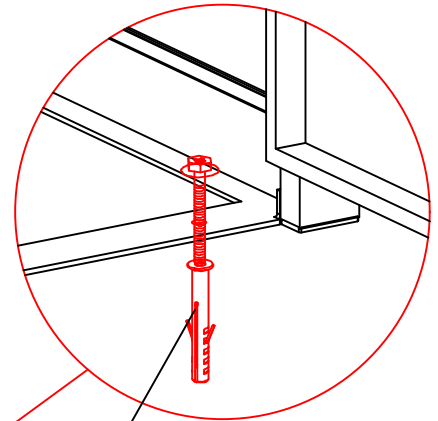
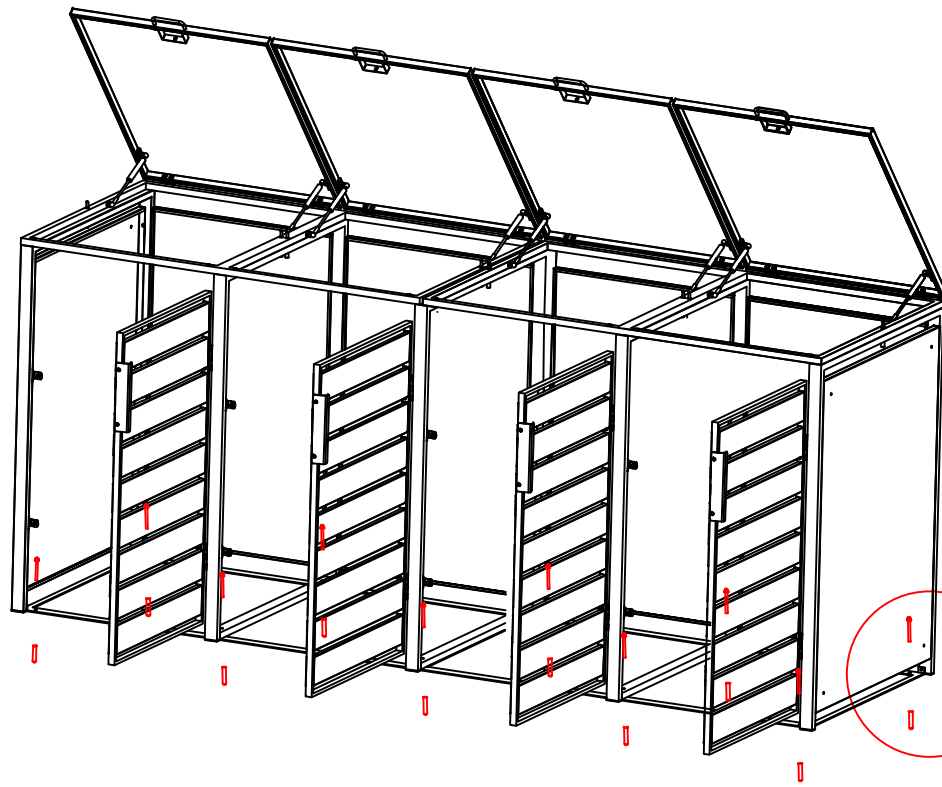
G*4PCS

H*8PCS

Y1x8PCS

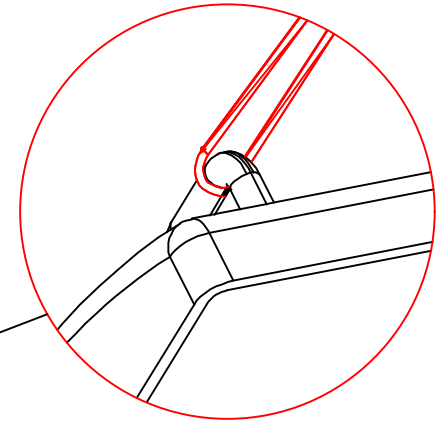
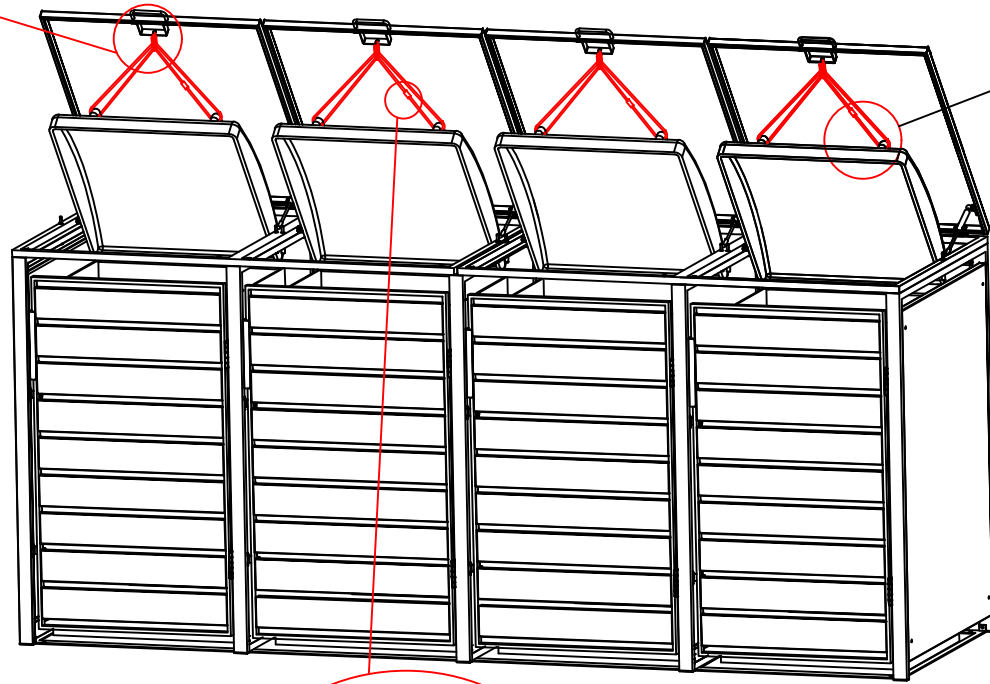
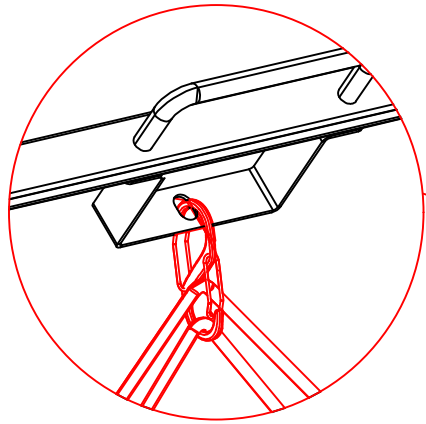


Step-9



I*10PCS

Step-10



N*4PCS

